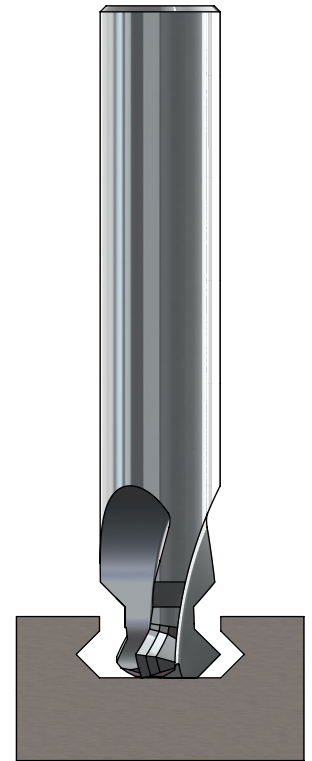
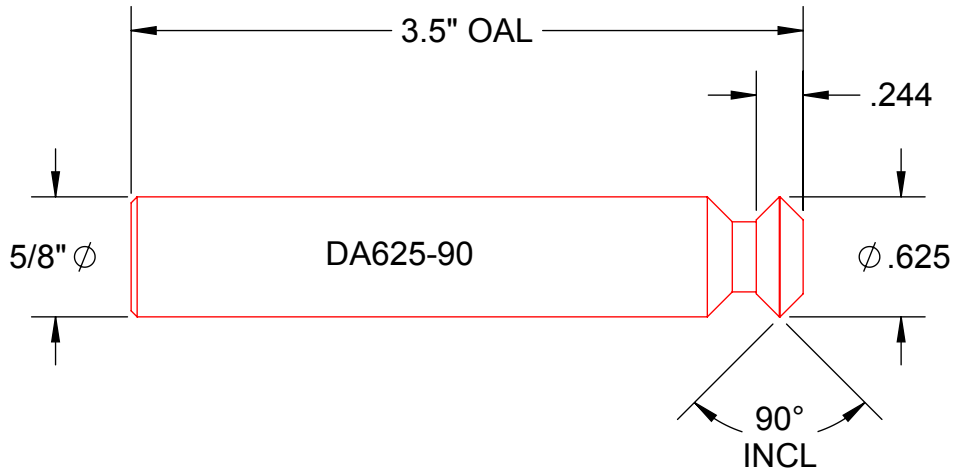


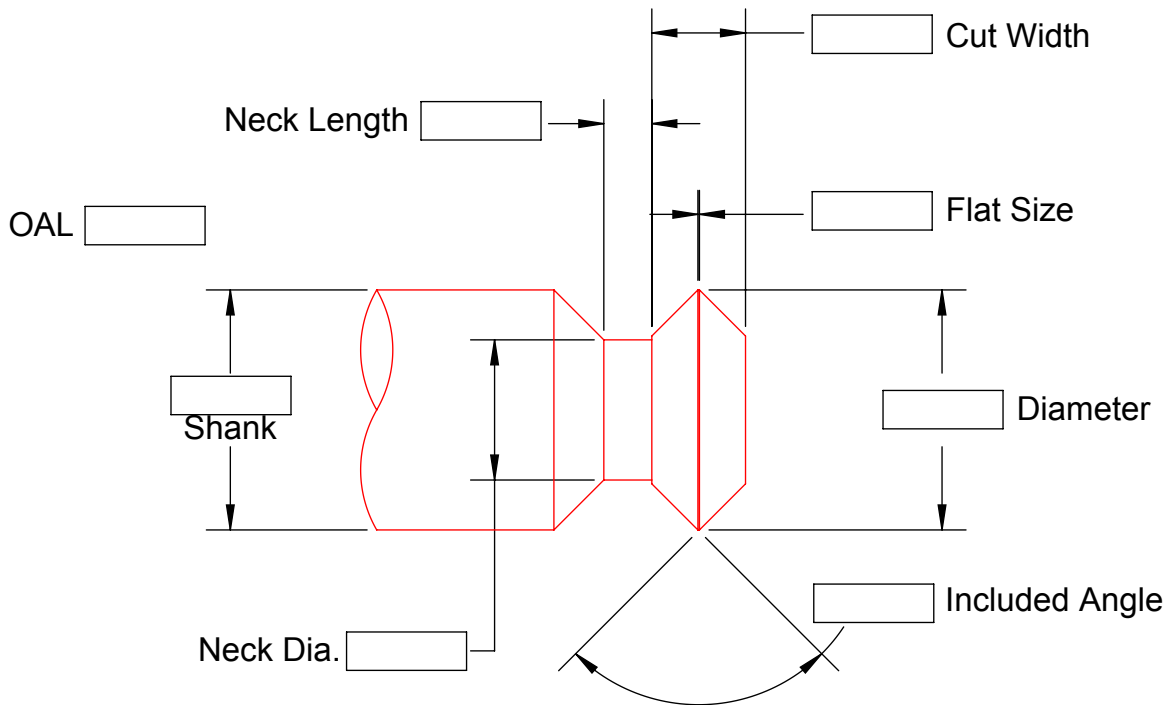
# Solid Carbide Male Picatinny (Fixture) Cutter



Number	Flutes	Price	
		No-Coat	AlTiN
DA625-90	3	\$165.	\$177.
DA625-90	4	\$172.50	\$184.50

## Special Male Picatinny (Fixture) Cutters in 4-6 Working Days

Machining what part material, please? \_\_\_\_\_



Phone 916 408-2442 FAX 916 408-0740

Toll free phone 866 440-8665

A. B. TOOLS, INC.  
1051 Aviation Blvd.  
Lincoln, CA, 95648-9312

If any product is not satisfactory  
we will modify, replace or refund.

www.abtoolsinc.com  
E-Mail: mail@abtoolsinc.com

