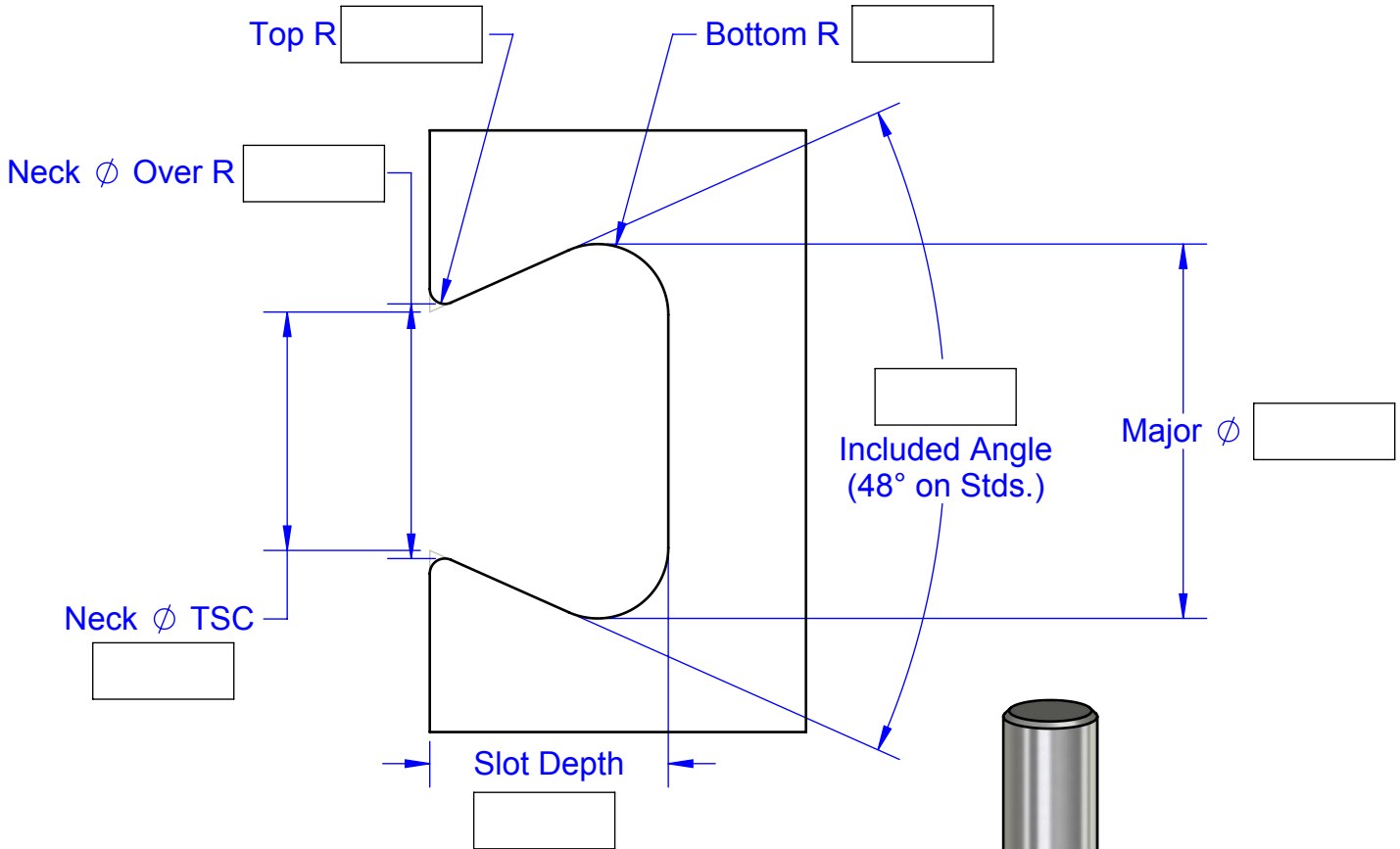


Solid Carbide Dovetail Cutters for O-Ring Grooves

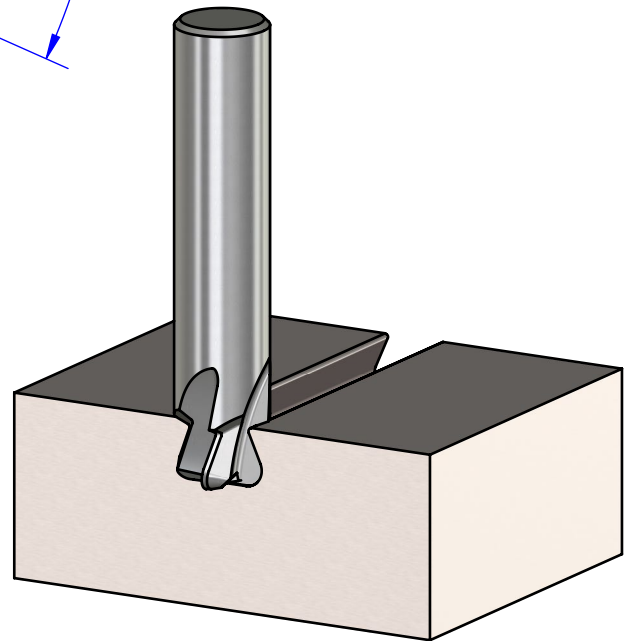
Specials in 4-6 working days

Machining what part material, please? _____

Number of flutes is based on part material and Neck ϕ .



Shank ϕ and overall length are based on cutter Major ϕ . Or per request if feasible.



Basic Prices		
Major ϕ	1 tool	2 tools
Up to .250	\$160.	\$135. ea
.251 thru .375	\$195.	\$150. ea
.376 thru .500	\$235.	\$165. ea
.501 thru .625	\$325.	\$240. ea
.626 thru .750	\$360.	\$265. ea



Phone 916 408-2442 FAX 916 408-0740

A. B. TOOLS, INC.
1051 Aviation Blvd.
Lincoln, CA, 95648-9312

If any product is not satisfactory
we will modify, replace or refund.

Toll free phone 866 440-8665

www.abtoolsinc.com
E-Mail: mail@abtoolsinc.com