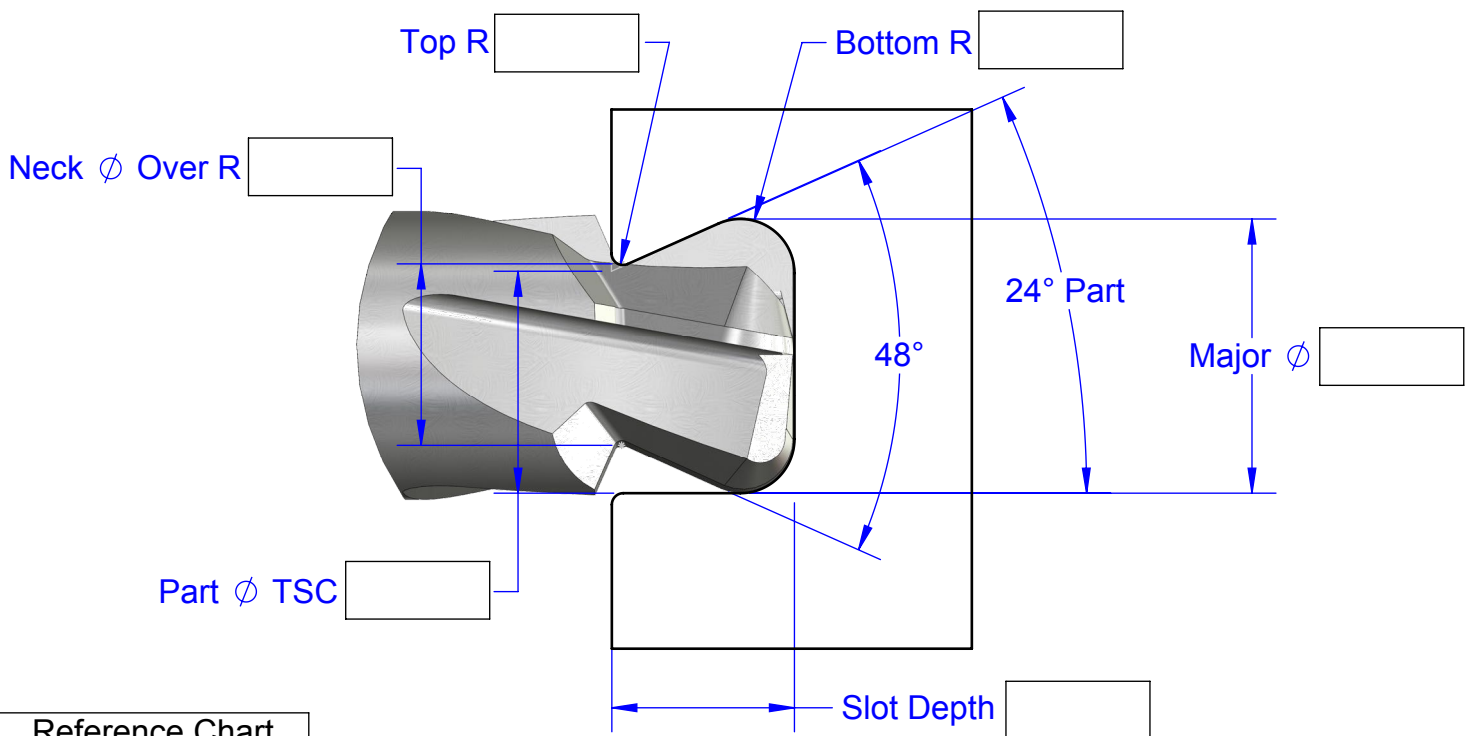


Solid Carbide Dovetail Cutters for Half Dovetail O-Ring Grooves

NUMBER	O-RING SIZE	PART Ø TSC	NECK Ø OVER R	SLOT DEPTH	TOP RAD.	BOTTOM RAD.	NO. OF FLUTES	PRICE	AITiN
HDG1/16	.070	.065	.0545	.054	.005	.015	2	\$68.	\$72.
HDG3/32	.103	.096	.0775	.084	.010	.015	2	\$68.	\$72.
HDG1/8	.139	.126	.103	.114	.010	.031	2	\$75.	\$79.
HDG3/16	.210	.1915	.146	.1745	.015	.031	2	\$85.	\$90.
HDG1/4	.275	.256	.2005	.236	.015	.062	3	\$95.	\$101.
HDG3/8	.375	.354	.283	.321	.020	.093	4	\$122.	\$130.



Reference Chart			
NUMBER	MAJOR Ø	SHANK Ø	OAL
HDG1/16	.081	3/16	2
HDG3/32	.125	3/16	2
HDG1/8	.160	3/16	2
HDG3/16	.253	5/16	2.5
HDG1/4	.328	3/8	2.5
HDG3/8	.447	1/2	2.5

Specials in 4-6
Working Days



Phone 916 408-2442 FAX 916 408-0740

A. B. TOOLS, INC.
1051 Aviation Blvd.
Lincoln, CA, 95648-9312

If any product is not satisfactory
we will modify, replace or refund.

Toll free phone 866 440-8665

www.abtoolsinc.com
E-Mail: mail@abtoolsinc.com