

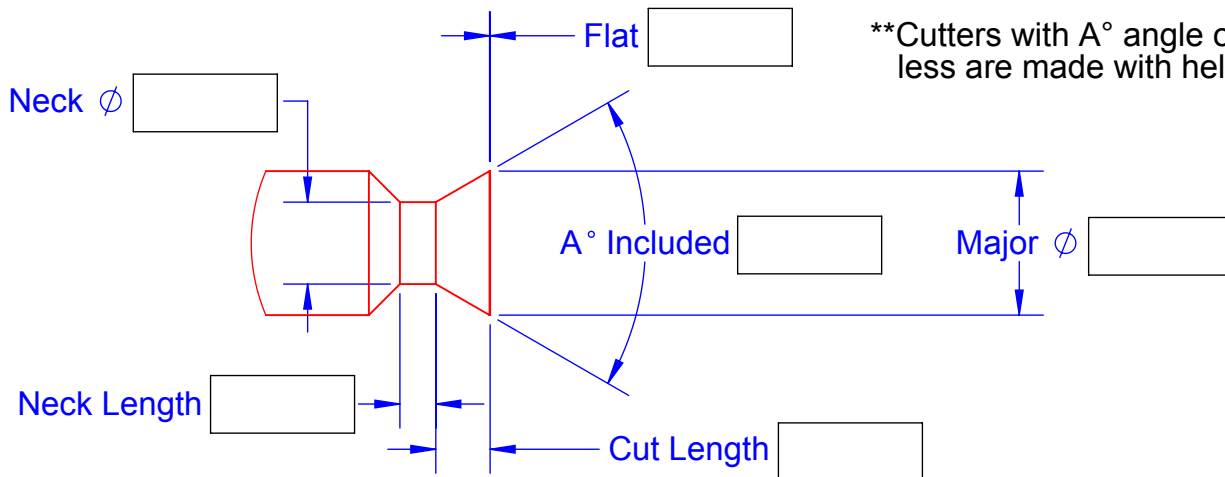
# Solid Carbide Dovetail Cutters

1/8" Major Ø x 1.5" OAL. With 1/8" Neck Length. 3 Flutes.

Number	A°	Cut Lngth	Neck Ø	Flat	Price	AlTiN
DS1/8-10	10	.188	.090	.001	\$58.50	\$62.
DS1/8-20	20	.125	.080	.001	\$58.50	\$62.
DS1/8-30	30	.090	.075	.001	\$58.50	\$62.
DS1/8-40	40	.080	.065	.001	\$58.50	\$62.
DS1/8-45	45	.070	.065	.001	\$58.50	\$62.
DS1/8-50	50	.065	.065	.002	\$58.50	\$62.
DS1/8-60	60	.050	.065	.002	\$58.50	\$62.
DS1/8-70	70	.040	.065	.002	\$58.50	\$62.
DS1/8-80	80	.035	.065	.002	\$58.50	\$62.
DS1/8-90	90	.030	.065	.002	\$58.50	\$62.
DS1/8-100	100	.025	.065	.003	\$58.50	\$62.
DS1/8-120	120	.020	.065	.003	\$58.50	\$62.

3/16" Major Ø x 2" OAL. With 1/8" Neck Length. 3 Flutes.

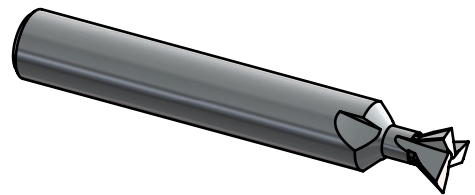
Number	A°	Cut Lngth	Neck Ø	Flat	Price	AlTiN
DS3/16-10	10	.270	.140	.001	\$60.	\$63.
DS3/16-20	20	.210	.110	.001	\$60.	\$63.
DS3/16-30	30	.160	.100	.001	\$60.	\$63.
DS3/16-40	40	.130	.090	.001	\$60.	\$63.
DS3/16-45	45	.115	.090	.001	\$60.	\$63.
DS3/16-50	50	.100	.090	.002	\$60.	\$63.
DS3/16-60	60	.080	.090	.002	\$60.	\$63.
DS3/16-70	70	.070	.090	.002	\$60.	\$63.
DS3/16-80	80	.055	.090	.002	\$60.	\$63.
DS3/16-90	90	.050	.090	.002	\$60.	\$63.
DS3/16-100	100	.040	.090	.003	\$60.	\$63.
DS3/16-120	120	.030	.090	.003	\$60.	\$63.



\*\*Cutters with A° angle of 45° and less are made with helical flutes.\*\*

1/4" Major Ø x 2" OAL. With 1/8" Neck Length. 3 Flutes.

Number	A°	Cut Lngth	Neck Ø	Flat	Price	AlTiN
DS1/4-10	10	.320	.160	.001	\$62.	\$67.
DS1/4-20	20	.300	.130	.001	\$62.	\$67.
DS1/4-30	30	.250	.115	.001	\$62.	\$67.
DS1/4-40	40	.190	.110	.001	\$62.	\$67.
DS1/4-45	45	.165	.110	.001	\$62.	\$67.
DS1/4-50	50	.150	.110	.002	\$62.	\$67.
DS1/4-60	60	.120	.110	.002	\$62.	\$67.
DS1/4-70	70	.100	.110	.002	\$62.	\$67.
DS1/4-80	80	.085	.110	.002	\$62.	\$67.
DS1/4-90	90	.075	.110	.002	\$62.	\$67.
DS1/4-100	100	.060	.110	.003	\$62.	\$67.
DS1/4-120	120	.045	.110	.003	\$62.	\$67.



**Specials in 4-6 Working Days**

Phone 916 408-2442 FAX 916 408-0740

Toll free phone 866 440-8665



A. B. TOOLS, INC.  
1051 Aviation Blvd.  
Lincoln, CA, 95648-9312

If any product is not satisfactory we will modify, replace or refund.

www.abtoolsinc.com  
E-Mail: mail@abtoolsinc.com