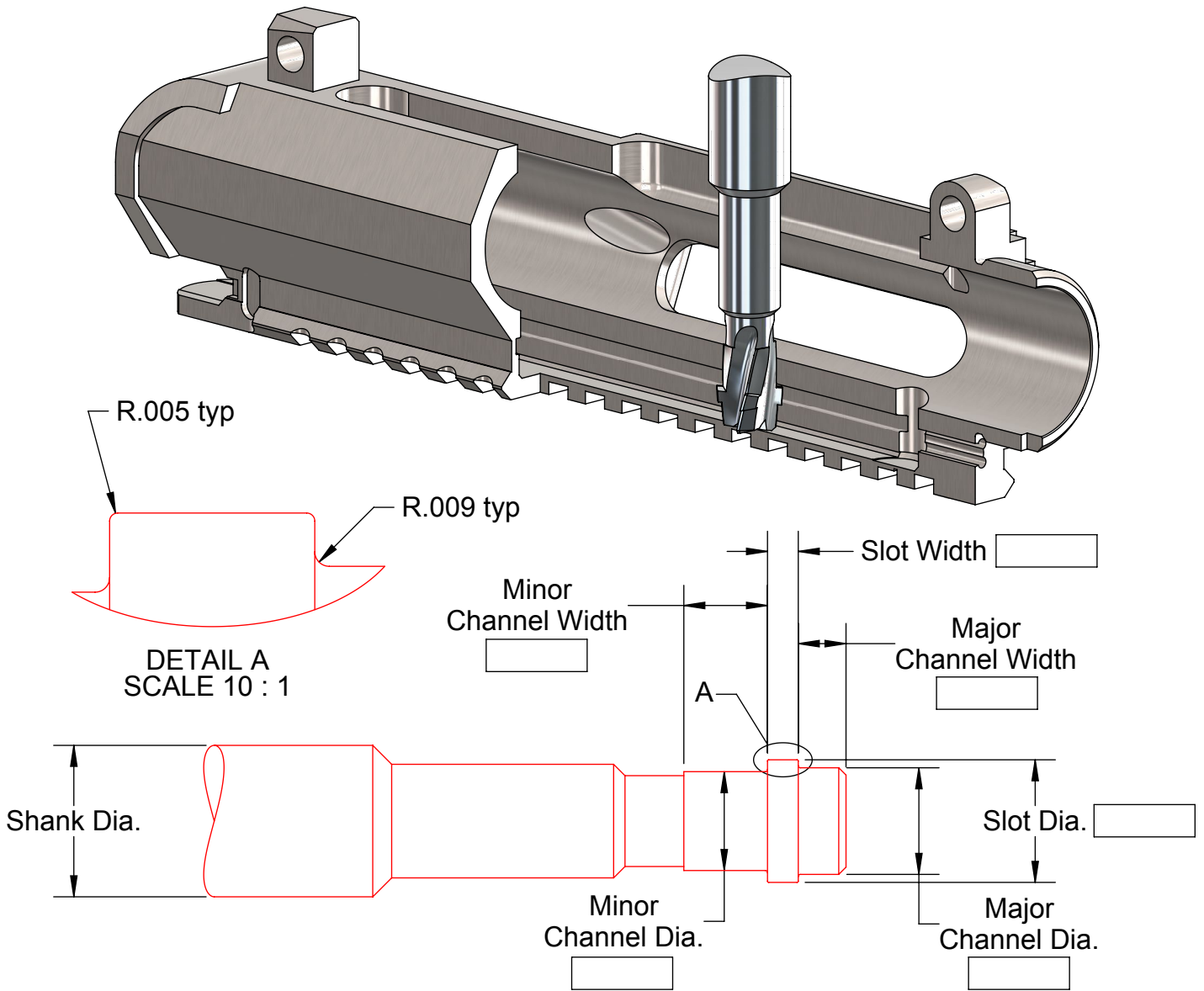


Charging Handle Slot Cutter



Special Charging Handle Slot Cutters in 4-6 working days

Machining what part material, please? _____

Number	Slot Dia.	Slot Width	Helix	Shank Dia. & OAL	No. of Flutes	Price	
						No-Coat	AlTiN
CHSC-R15	.486	.127	15°	5/8 X 5	3	\$225.	\$240.
CHSC-R30	.486	.127	30°	5/8 X 5	3	\$225.	\$240.
CHSC-F15	.506	.127	15°	5/8 X 5	4	\$225.	\$240.
CHSC-F30	.506	.127	30°	5/8 X 5	4	\$225.	\$240.

Phone 916 408-2442 FAX 916 408-0740

Toll free phone 866 440-8665



A. B. TOOLS, INC.
1051 Aviation Blvd.
Lincoln, CA, 95648-9312

If any product is not satisfactory
we will modify, replace or refund.

www.abtoolsinc.com
E-Mail: mail@abtoolsinc.com