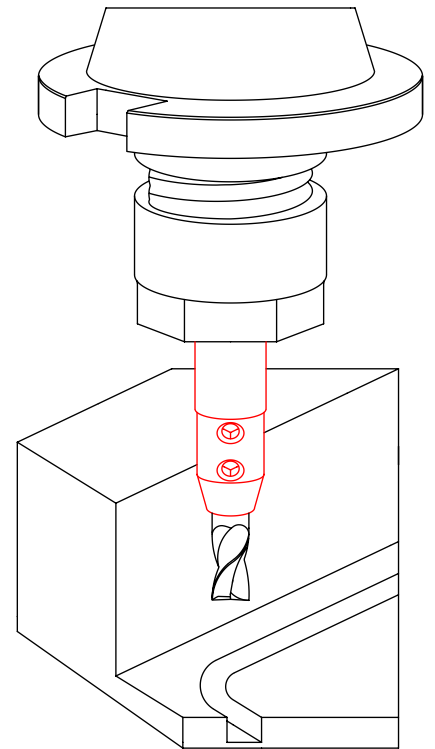
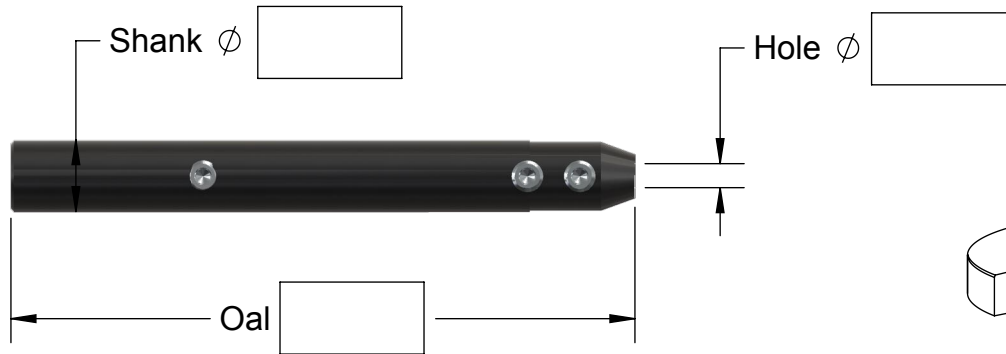


The Metric Accu-Hold

The MOST precise extension holder you have ever used.

Concentric within .0003; Hole size is plus .00015 and minus Zero.

Improves rigidity, concentricity, and coolant effectiveness.



Number	Hole size Ø	Decimal Equiv.	Shank size Ø	Overall Length	Screw Size	Price
ACH3MM	3MM	.1181	3/8	3-1/4	6-32	\$175.
ACH4MM	4MM	.1575	1/2	3-1/2	8-32	\$160.
ACH5MM	5MM	.1968	1/2	3-1/2	10-32	\$160.
ACH6MM	6MM	.2362	5/8	4-1/4	10-32	\$165.
ACH7MM	7MM	.2756	5/8	4-1/4	10-32	\$215.
ACH8MM	8MM	.3149	3/4	4-1/2	1/4-28	\$175.
ACH9MM	9MM	.3543	3/4	4-1/2	5/16-24	\$225.
ACH10MM	10MM	.3937	3/4	4-1/2	5/16-24	\$205.
ACH11MM	11MM	.4331	3/4	4-1/2	5/16-24	\$245.
ACH12MM*	12MM	.4724	3/4	4-3/4	3/8-24	\$230.
ACH12MM-1	12MM	.4724	1	4-3/4	3/8-24	\$240.
ACH13MM	13MM	.5118	1	4-3/4	3/8-24	\$260.
ACH14MM	14MM	.5512	1	5-1/2	3/8-24	\$260.
ACH15MM	15MM	.5905	1	5-1/2	3/8-24	\$285.
ACH16MM	16MM	.6299	1	5-1/2	3/8-24	\$280.
ACH18MM**	18MM	.7086	1	5-1/4	7/16-20	\$295.
ACH20MM-1	20MM	.7874	1	6	7/16-20	\$315.
ACH20MM	20MM	.7874	1-1/4	6	7/16-20	\$315.
ACH25MM**	25MM	.9842	1	6-1/2	7/16-20	\$445.

*The ACH12MM has a 1" Dia. x 1.5" long head.

**The ACH18MM and ACH25MM have a 1-1/4" Dia. x 2-1/4" long head and the holes are only 2" deep.



Phone 916 408-2442 FAX 916 408-0740

A. B. TOOLS, INC.
1051 Aviation Blvd.
Lincoln, CA, 95648-9312

If any product is not satisfactory
we will modify, replace or refund.

Toll free phone 866 440-8665

www.abtoolsinc.com
E-Mail: mail@abtoolsinc.com