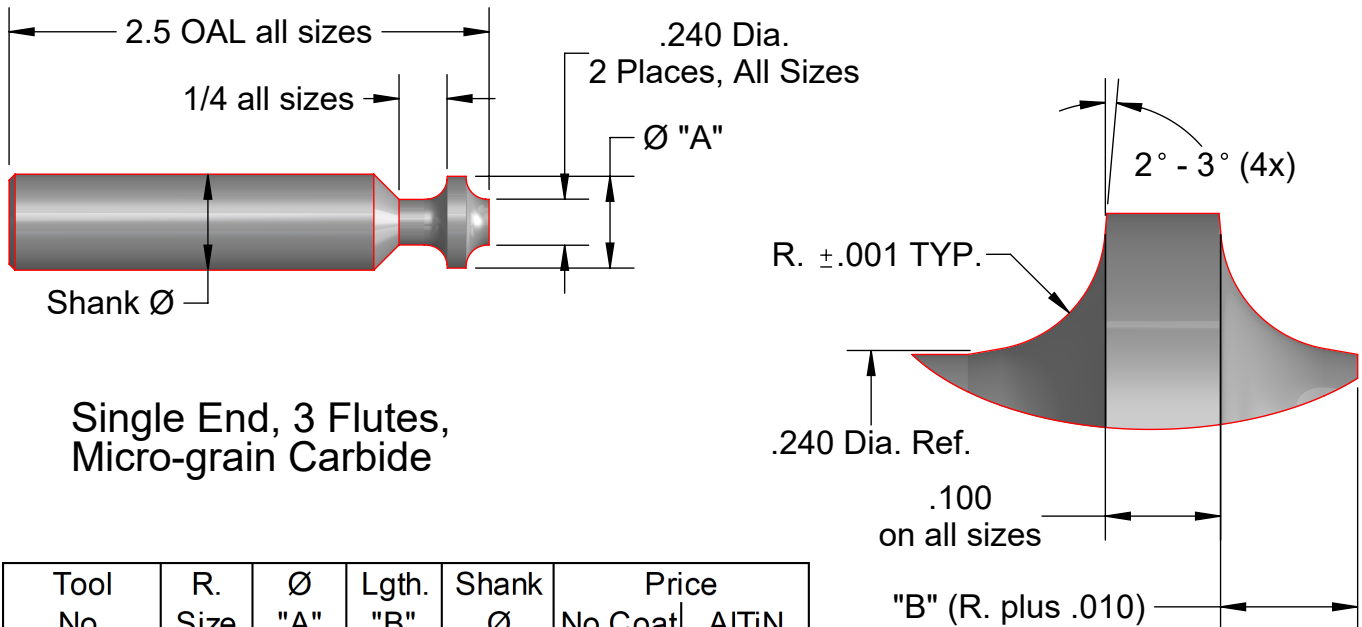
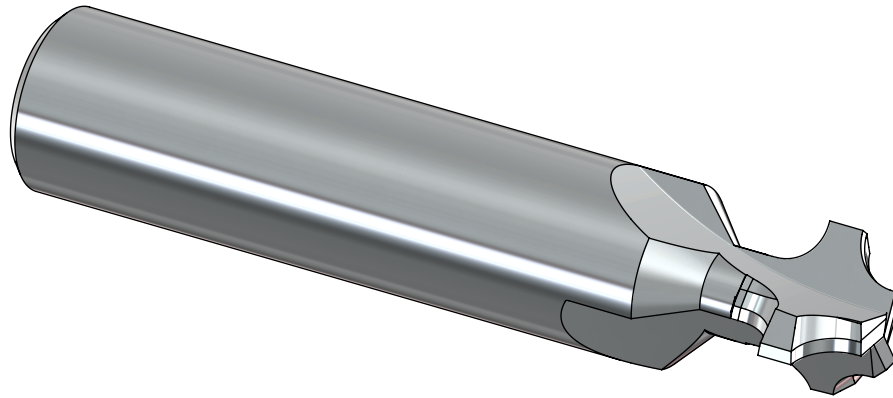


# Solid Carbide TOP & BOTTOM Corner Rounders



Tool No.	R. Size	Ø "A"	Lgth. "B"	Shank Ø	Price	
					No Coat	AlTiN
CRD-015	.015	.290	.025	3/8"	\$145.	\$152.
CRD-020	.020	.300	.030	3/8"	\$145.	\$152.
CRD-031	.031	.322	.041	3/8"	\$145.	\$152.
CRD-040	.040	.340	.050	3/8"	\$145.	\$152.
CRD-046	.046	.352	.056	3/8"	\$145.	\$152.
CRD-062	.062	.384	.072	1/2"	\$160.	\$169.
CRD-078	.078	.416	.088	1/2"	\$160.	\$169.
CRD-093	.093	.446	.103	1/2"	\$160.	\$169.
CRD-109	.109	.478	.119	1/2"	\$160.	\$169.
CRD-125	.125	.510	.135	1/2"	\$160.	\$169.

**Specials in 4-6 Working Days**



A. B. TOOLS, INC.  
1051 Aviation Blvd.  
Lincoln, CA 95648-9312

Phone 916 408-2442  
FAX 916 993-3949

www.abtoolsinc.com  
E-Mail: mail@abtoolsinc.com