

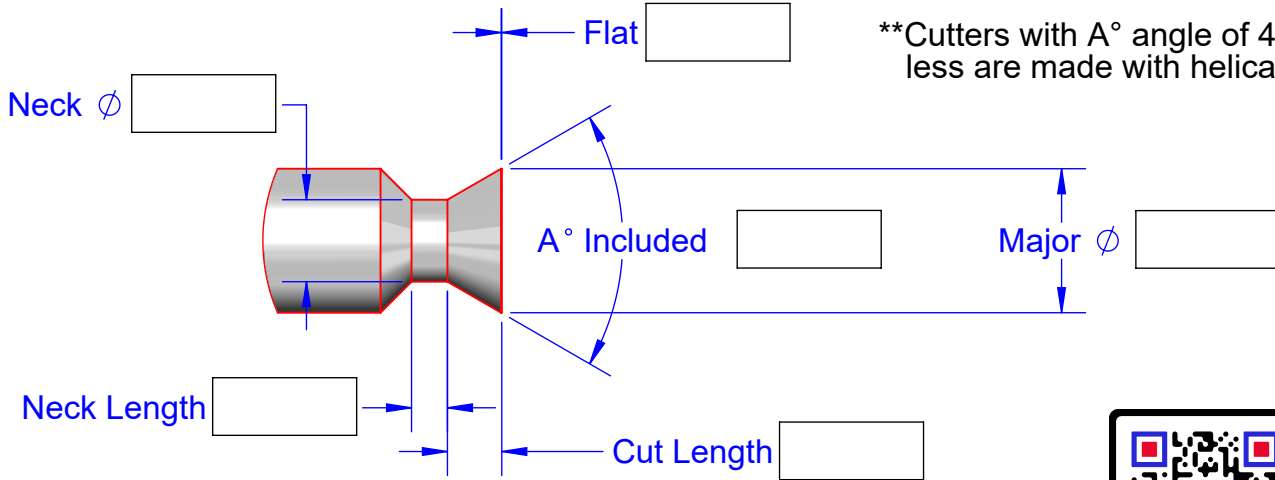
# Solid Carbide Dovetail Cutters

3/8 Major Ø x 2.5 OAL. With 3/16 Neck Length. 3 Flutes.

Number	A°	Cut Lngth	Neck Ø	Flat	Price	AlTiN
DS3/8-10	10°	.370	.260	.001	\$88.	\$94.
DS3/8-20	20°	.370	.230	.001	\$88.	\$94.
DS3/8-30	30°	.370	.170	.001	\$88.	\$94.
DS3/8-40	40°	.260	.170	.001	\$88.	\$94.
DS3/8-45	45°	.235	.170	.001	\$88.	\$94.
DS3/8-50	50°	.210	.170	.002	\$88.	\$94.
DS3/8-60	60°	.180	.170	.002	\$88.	\$94.
DS3/8-70	70°	.145	.170	.002	\$88.	\$94.
DS3/8-80	80°	.130	.160	.002	\$88.	\$94.
DS3/8-90	90°	.110	.160	.002	\$88.	\$94.
DS3/8-100	100°	.090	.160	.003	\$88.	\$94.
DS3/8-120	120°	.060	.160	.003	\$88.	\$94.

1/2 Major Ø x 2.5 OAL. With 3/16 Neck Length. 3 Flutes.

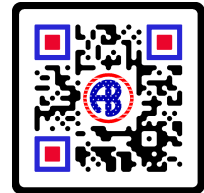
Number	A°	Cut Lngth	Neck Ø	Flat	Price	AlTiN
DS1/2-10	10°	.500	.360	.001	\$105.	\$114.
DS1/2-20	20°	.400	.300	.001	\$105.	\$114.
DS1/2-30	30°	.320	.200	.001	\$105.	\$114.
DS1/2-40	40°	.320	.180	.001	\$105.	\$114.
DS1/2-45	45°	.320	.180	.001	\$105.	\$114.
DS1/2-50	50°	.320	.180	.002	\$105.	\$114.
DS1/2-60	60°	.250	.180	.002	\$105.	\$114.
DS1/2-70	70°	.210	.180	.002	\$105.	\$114.
DS1/2-80	80°	.180	.180	.002	\$105.	\$114.
DS1/2-90	90°	.140	.180	.002	\$105.	\$114.
DS1/2-100	100°	.120	.180	.003	\$105.	\$114.
DS1/2-120	120°	.090	.180	.003	\$105.	\$114.



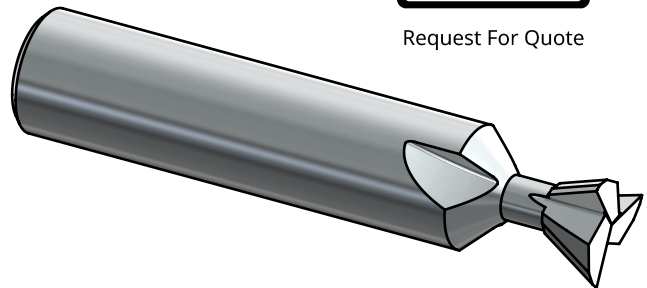
\*\*Cutters with A° angle of 45° and less are made with helical flutes.\*\*

5/8 Major Ø x 3.0 OAL. With 3/16 Neck Length. 4 Flutes.

Number	A°	Cut Lngth	Neck Ø	Flat	Price	AlTiN
DS5/8-10	10°	.600	.500	.001	\$150.	\$159.
DS5/8-20	20°	.500	.440	.001	\$150.	\$159.
DS5/8-30	30°	.450	.360	.001	\$150.	\$159.
DS5/8-40	40°	.400	.330	.001	\$150.	\$159.
DS5/8-45	45°	.350	.330	.001	\$150.	\$159.
DS5/8-50	50°	.310	.330	.002	\$150.	\$159.
DS5/8-60	60°	.250	.330	.002	\$150.	\$159.
DS5/8-70	70°	.210	.330	.002	\$150.	\$159.
DS5/8-80	80°	.185	.310	.002	\$150.	\$159.
DS5/8-90	90°	.150	.310	.002	\$150.	\$159.
DS5/8-100	100°	.130	.310	.003	\$150.	\$159.
DS5/8-120	120°	.090	.310	.003	\$150.	\$159.



Request For Quote



**Specials in 4-6 Working Days**



A. B. TOOLS, INC.  
1051 Aviation Blvd.  
Lincoln, CA 95648-9312

Phone 916 408-2442  
FAX 916 993-3949

www.abtoolsinc.com  
E-Mail: mail@abtoolsinc.com