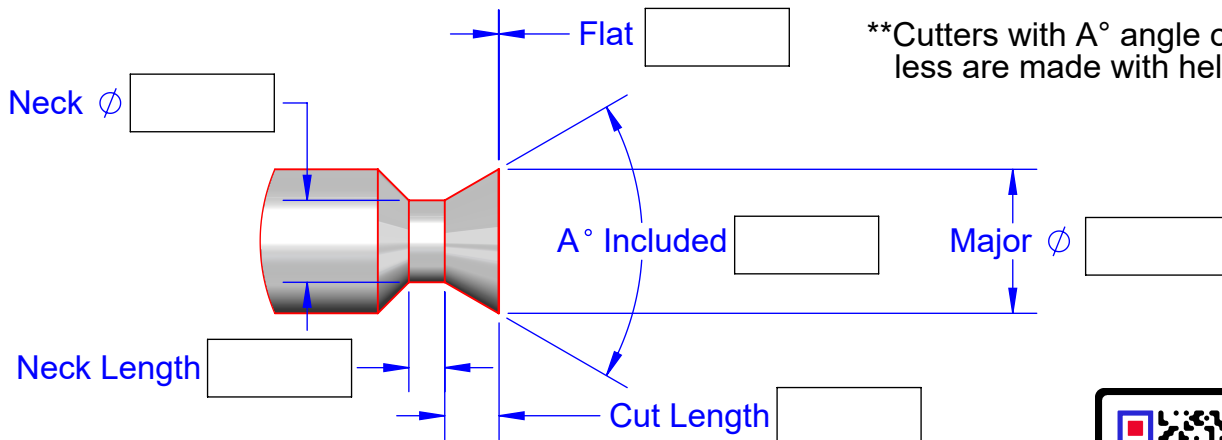


Solid Carbide Dovetail Cutters

1/8 Major Ø x 1.5 OAL. With 1/8 Neck Length. 3 Flutes.						
Number	A°	Cut Lngth	Neck Ø	Flat	Price	AlTiN
DS1/8-10	10°	.188	.090	.001	\$63.	\$67.
DS1/8-20	20°	.125	.080	.001	\$63.	\$67.
DS1/8-30	30°	.090	.075	.001	\$63.	\$67.
DS1/8-40	40°	.080	.065	.001	\$63.	\$67.
DS1/8-45	45°	.070	.065	.001	\$63.	\$67.
DS1/8-50	50°	.065	.065	.002	\$63.	\$67.
DS1/8-60	60°	.050	.065	.002	\$63.	\$67.
DS1/8-70	70°	.040	.065	.002	\$63.	\$67.
DS1/8-80	80°	.035	.065	.002	\$63.	\$67.
DS1/8-90	90°	.030	.065	.002	\$63.	\$67.
DS1/8-100	100°	.025	.065	.003	\$63.	\$67.
DS1/8-120	120°	.020	.065	.003	\$63.	\$67.

3/16 Major Ø x 2.0 OAL. With 1/8 Neck Length. 3 Flutes.						
Number	A°	Cut Lngth	Neck Ø	Flat	Price	AlTiN
DS3/16-10	10°	.270	.140	.001	\$65.	\$69.
DS3/16-20	20°	.210	.110	.001	\$65.	\$69.
DS3/16-30	30°	.160	.100	.001	\$65.	\$69.
DS3/16-40	40°	.130	.090	.001	\$65.	\$69.
DS3/16-45	45°	.115	.090	.001	\$65.	\$69.
DS3/16-50	50°	.100	.090	.002	\$65.	\$69.
DS3/16-60	60°	.080	.090	.002	\$65.	\$69.
DS3/16-70	70°	.070	.090	.002	\$65.	\$69.
DS3/16-80	80°	.055	.090	.002	\$65.	\$69.
DS3/16-90	90°	.050	.090	.002	\$65.	\$69.
DS3/16-100	100°	.040	.090	.003	\$65.	\$69.
DS3/16-120	120°	.030	.090	.003	\$65.	\$69.

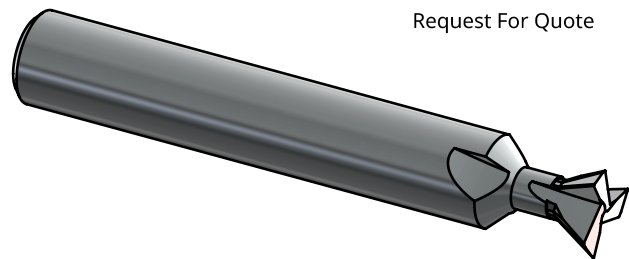


Cutters with A° angle of 45° and less are made with helical flutes.

1/4 Major Ø x 2.0 OAL. With 1/8 Neck Length. 3 Flutes.						
Number	A°	Cut Lngth	Neck Ø	Flat	Price	AlTiN
DS1/4-10	10°	.320	.160	.001	\$70.	\$75.
DS1/4-20	20°	.300	.130	.001	\$70.	\$75.
DS1/4-30	30°	.250	.115	.001	\$70.	\$75.
DS1/4-32	32°	.125	.155	N/A	\$70.	\$75.
DS1/4-40	40°	.190	.110	.001	\$70.	\$75.
DS1/4-45	45°	.165	.110	.001	\$70.	\$75.
DS1/4-50	50°	.150	.110	.002	\$70.	\$75.
DS1/4-60	60°	.120	.110	.002	\$70.	\$75.
DS1/4-70	70°	.100	.110	.002	\$70.	\$75.
DS1/4-80	80°	.085	.110	.002	\$70.	\$75.
DS1/4-90	90°	.070	.110	.002	\$70.	\$75.
DS1/4-100	100°	.060	.110	.003	\$70.	\$75.
DS1/4-120	120°	.045	.110	.003	\$70.	\$75.



Request For Quote



Specials in 4-6 Working Days



A. B. TOOLS, INC.
1051 Aviation Blvd.
Lincoln, CA 95648-9312

Phone 916 408-2442
FAX 916 993-3949

www.abtoolsinc.com
E-Mail: mail@abtoolsinc.com