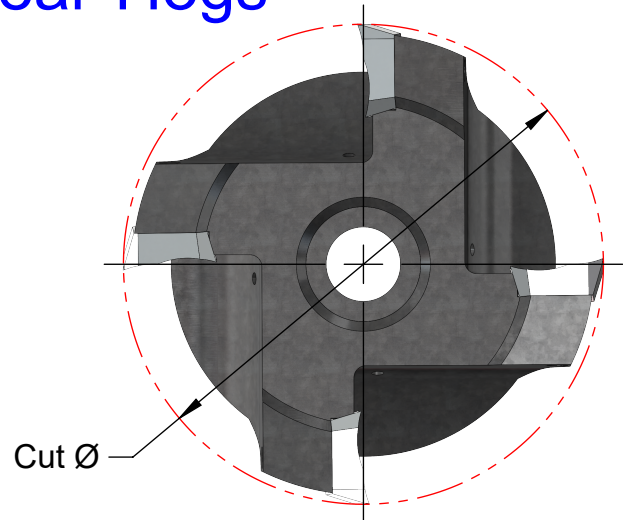
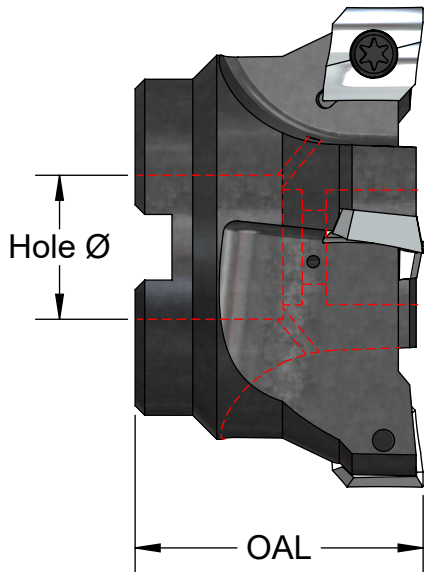


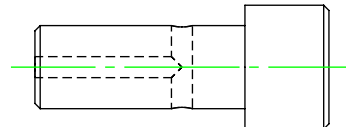
Shell Shear-Hogs®



All cutter prices include inserts, insert screws, coolant screw and wrench

Number	Cut Ø	Hole Ø	OAL	No. of Flutes	Price Incl. Inserts	Coolant Screws	
						Size	Price
SHELL-200	2.0	.500	1.25	2 or 3	\$470.	1/4-28	\$8.
SHELL-250	2.5	.750	1.50	4	\$520.	3/8-24	\$8.
SHELL-275	2.75	.750	1.50	4	\$550.	3/8-24	\$8.
SHELL-300	3.0	1.00	1.75	4	\$595.	1/2-20	\$9.
SHELL-400	4.0	1.25	1.87	4 or 5	\$690.	5/8-18	\$11.
SHELL-500	5.0	1.50	2.25	5	\$810.	3/4-16	\$13.
SHELL-600	6.0	1.50	2.25	6	\$1100.	3/4-16	\$13.
SHELL-700	7.0	1.50	2.25	8	\$1625.	3/4-16	\$13.

You may use Std. Socket Head screws without thru-tool coolant. Or, use our modified screws with coolant holes



Shear-Hog Inserts	Corner	Price
ADEH-430	Sharp	\$21. ea.
ADEH-431	.010 R	\$21. ea.
ADEH-432	.030 R	\$21. ea.
ADEH-434	.060 R	\$21. ea.
ADEH-436	.090 R	\$23. ea.
ADEH-438	.120 R	\$23. ea.
ADEH-45	.015 x 45°	\$23. ea.

Extra Insert Features	Add to Price
.002 Honed Edge	\$3.
AlTiN Coat	\$5.
DLC Coat	\$6.
Honed Edge & AlTiN Coat	\$8.
Insert Screws and Wrenches	
3.5mm-SH (2012 and newer)	\$2. ea.
8-32-SH (Older than 2012)*	\$2. ea.
T15 Wrench	\$10. ea.

Insert screw torque to 28-30 in lbs.

*Uses Industry Standard T10 Wrench



A. B. TOOLS, INC.
1051 Aviation Blvd.
Lincoln, CA 95648-9312

Phone 916 408-2442
FAX 916 993-3949

www.abtoolsinc.com
E-Mail: mail@abtoolsinc.com