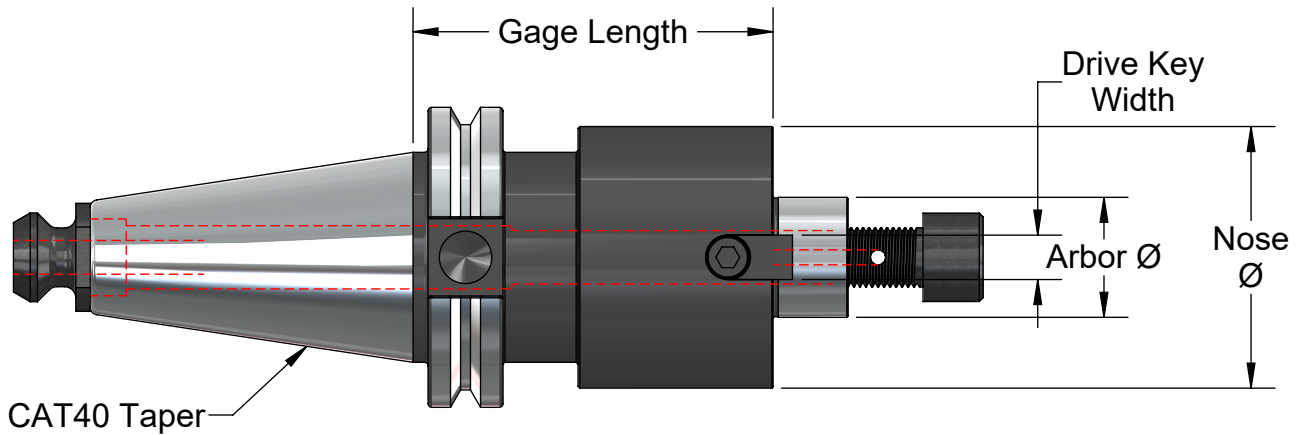


NEW !!!

Shell Mill Arbors

NEW !!!



Concentricity better than .0002 at face and arbor

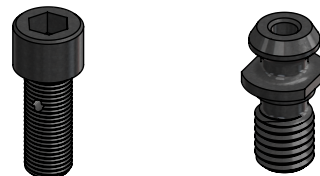
Made from Alloy Steel Rc 54 - 56

Removable drive keys

No.	Arbor Ø	Nose Ø	Gage Length	Drive Key Width	Shell Shear-Hog	Price
CAT40 x FMA 1/2"-1.37"	.500	1.45	1.37	.25	Shell-200	\$145.
CAT40 x FMA 3/4"-1.37"	.750	1.69	1.37	.31	Shell-250	\$145.
CAT40 x FMA 3/4"-1.37"	.750	1.69	1.37	.31	Shell-275	\$145.
CAT40 x FMA 1"-2.06"	1.00	2.20	2.06	.38	Shell-300	\$155.
CAT40 x FMA 1-1/4"-2.21"	1.25	2.75	2.21	.50	Shell-400	\$165.
CAT40 x FMA 1-1/2"-2.21"	1.50	3.80	2.21	.63	Shell-500	\$175.
CAT40 x FMA 1-1/2"-2.21"	1.50	3.80	2.21	.63	Shell-600	\$175.
CAT40 x FMA 1-1/2"-2.21"	1.50	3.80	2.21	.63	Shell-700	\$175.

Thru Coolant Arbor Screws		
Size	Shell Shear-Hog	Price
1/4-28	SHELL-200	\$8.
3/8-24	SHELL-250	\$8.
3/8-24	SHELL-275	\$8.
1/2-20	SHELL-300	\$9.
5/8-18	SHELL-400	\$11.
3/4-16	SHELL-500	\$13.
3/4-16	SHELL-600	\$13.
3/4-16	SHELL-700	\$13.

Thru Coolant Retention Knob	
No.	Price
21003-45C	\$18.



A. B. TOOLS, INC.
 1051 Aviation Blvd.
 Lincoln, CA 95648-9312

Phone 916 408-2442
 FAX 916 993-3949

www.abtoolsinc.com
 E-Mail: mail@abtoolsinc.com