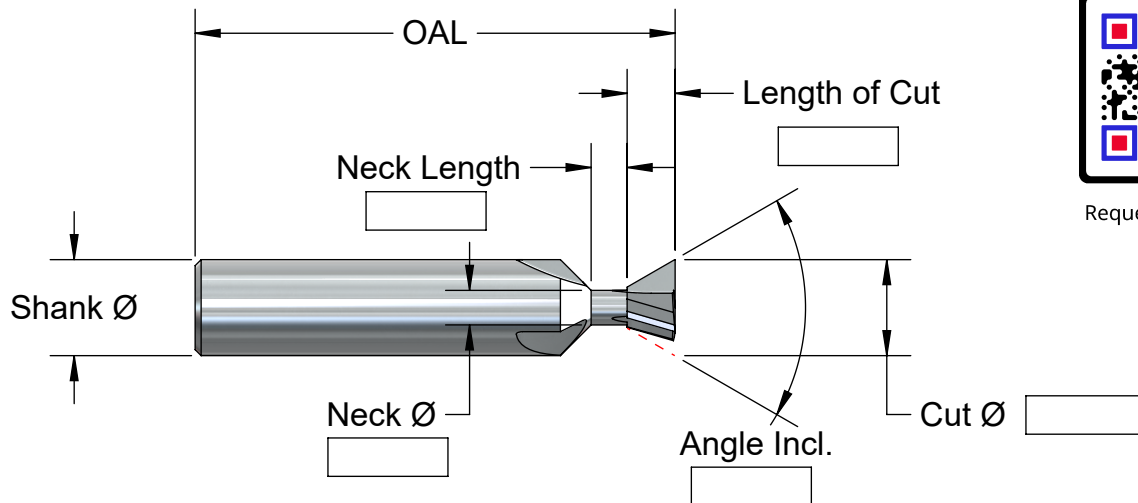
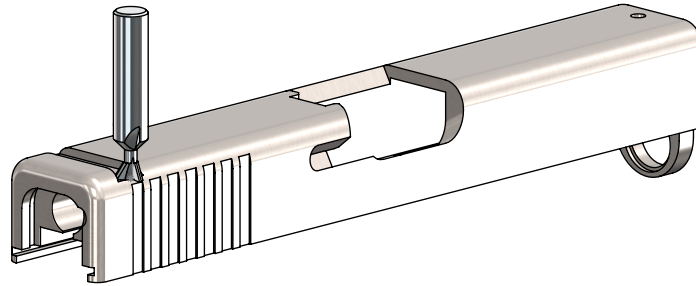
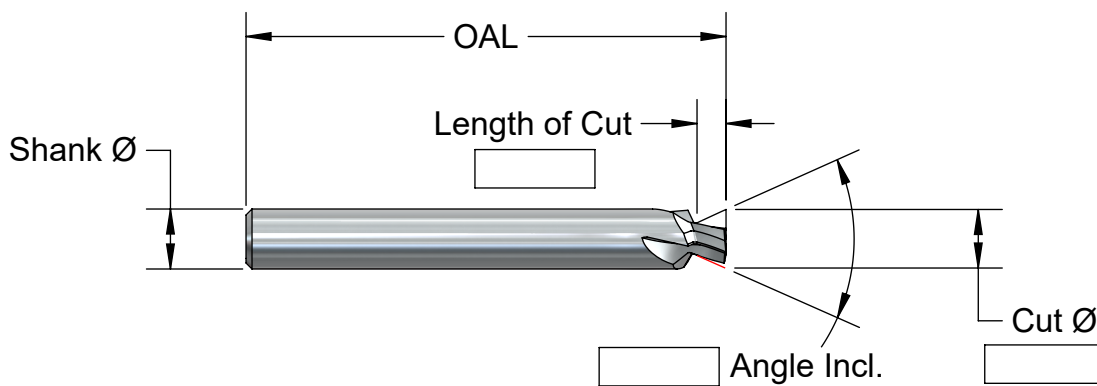


# NEW!!! Pistol Sight Dovetail Slot Cutters NEW!!!



Request For Quote

Number	Angle Incl.	Cut Ø	Length of Cut	Neck Ø	Neck Length	Shank Ø	OAL	Flutes	Price
DS200-38	38°	.200	.125	.114	.063	1/4"	2.0	3	<b>\$70.</b>
DS1/4-32	32°	.250	.125	.155	.125	1/4"	2.0	3	<b>\$70.</b>



Number	Angle Incl.	Cut Ø	Length of Cut	Shank Ø	OAL	Flutes	Price
SCD50-330	50°	.330	.093	3/8"	2.5	3	<b>\$88.</b>
SCD50-344	50°	.344	.125	3/8"	2.5	3	<b>\$88.</b>
SCD50-495	50°	.495	.250	1/2"	2.5	3	<b>\$105.</b>
SCD60-300	60°	.300	.093	5/16"	2.5	3	<b>\$75.</b>
SCD60-359	60°	.359	.125	3/8"	2.5	3	<b>\$88.</b>



A. B. TOOLS, INC.  
1051 Aviation Blvd.  
Lincoln, CA 95648-9312

Phone 916 408-2442  
FAX 916 993-3949

www.abtoolsinc.com  
E-Mail: mail@abtoolsinc.com