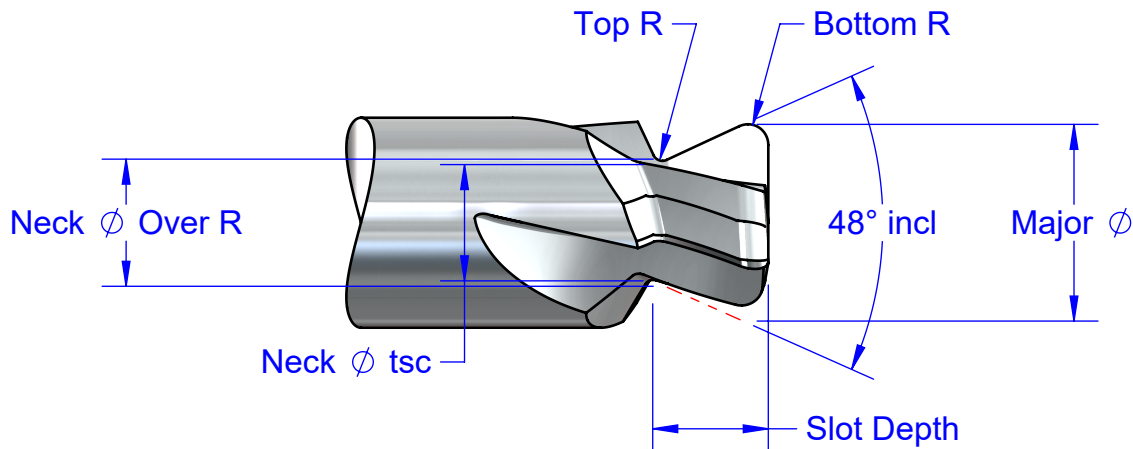


Solid Carbide Dovetail Cutters for O-Ring Grooves

NUMBER	O-RING SIZE	NECK Ø TSC	NECK Ø OVER R	SLOT DEPTH	TOP RAD.	BOTTOM RAD.	MAJOR Ø	PRICE	AITIN
DT1/16 DT1/16-5	.070	.057 .052	.0624 .0574	.051	.005	.015	.0862 .0812	\$70.	\$74.
DT1/16-054	.070	.059	.064	.054	.005	.016	.090	\$70.	\$74.
DT3/32 DT3/32-8	.103	.085 .077	.0958 .0878	.082	.010	.015	.1418 .1338	\$70.	\$74.
DT1/8 DT1/8-10	.139	.115 .105	.1258 .1158	.112	.010	.031	.1812 .1712	\$80.	\$84.
DT3/16 DT3/16-12	.210	.173 .161	.1892 .1772	.172	.015	.031	.2927 .2807	\$90.	\$97.
DT1/4 DT1/4-15	.275	.233 .218	.2492 .2342	.232	.015	.062	.3726 .3576	\$110.	\$117.
DT3/8 DT3/8-15	.375	.317 .302	.3386 .3236	.317	.020	.094	.4978 .4828	\$140.	\$149.



Reference Chart

NUMBER	NO. OF FLUTES	SHANK Ø	OAL
DT1/16 DT1/16-5	1	3/16"	2.0
DT1/16-054	2	3/16"	2.0
DT3/32 DT3/32-8	2	3/16"	2.0
DT1/8 DT1/8-10	2	1/4"	2.0
DT3/16 DT3/16-12	3	5/16"	2.5
DT1/4 DT1/4-15	3	3/8"	2.5
DT3/8 DT3/8-15	4	1/2"	2.5

**Specials in 4-6
Working Days
(See Page 24)**



A. B. TOOLS, INC.
1051 Aviation Blvd.
Lincoln, CA 95648-9312

Phone 916 408-2442
FAX 916 993-3949

www.abtoolsinc.com
E-Mail: mail@abtoolsinc.com