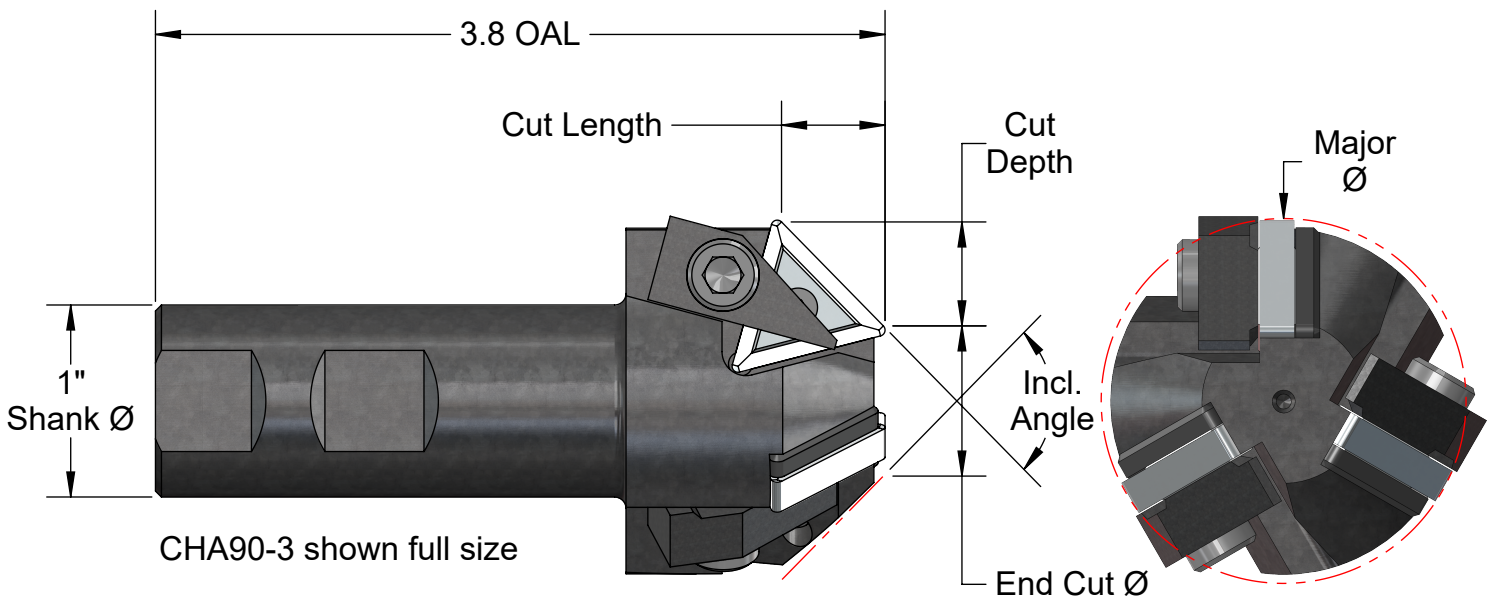


Negative Rake Chamfer-Hogs (Ferrous Only)



Number	Included Angle	No. of Flutes	End Cut Ø	Major Ø	Cut Length	Cut Depth	Clamp No.	Price Incl. Inserts
CHA30-3	30°	3	1.75	2.16	.73	.25	CL5	\$475.
CHA60-3N	60°	3	1.40	2.16	.65	.45	CL5	\$475.
CHA70-3	70°	3	1.25	2.14	.62	.44	CL5	\$475.
CHA82-3	82°	3	1.0	2.02	.57	.50	CL5	\$475.
CHA90-3	90°	3	.750	1.90	.52	.52	CL5	\$475.
CHA90-4	90°	4	1.76	2.85	.52	.52	CL5	\$530.
CHA100-3	100°	3	.820	1.99	.49	.58	CL5	\$475.
CHA110-3	110°	3	.750	2.02	.43	.62	CL5	\$475.
CHA120-3	120°	3	.750	2.10	.29	.62	CL5	\$475.
CHA130-3	130°	3	.770	2.16	.32	.67	CL5	\$475.
CHA140-3	140°	3	.750	2.20	.25	.70	CL5	\$475.

All Negative Rake Chamfer-Hogs use the below insert, clamp, and shim

Insert	Price	Clamp	Price	Shim	Price	Screws at no charge with each purchase of Clamps & Shims. Ind. Standard 1/4-20 Socket Head and 8-32 Flat Head.
TNMG432 C5	\$18.	CL5	\$25.	SM26 Ind. Std.	\$14.	



A. B. TOOLS, INC.
1051 Aviation Blvd.
Lincoln, CA 95648-9312

Phone 916 408-2442
FAX 916 993-3949

www.abtoolsinc.com
E-Mail: mail@abtoolsinc.com