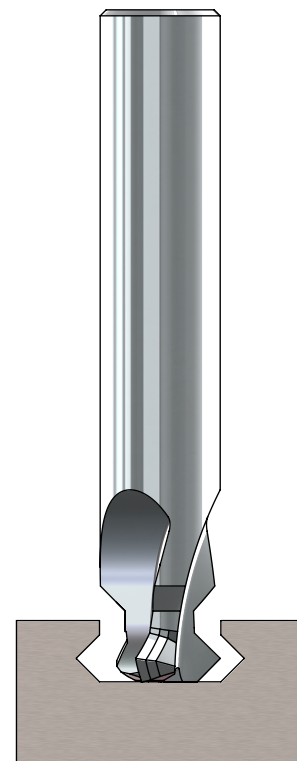
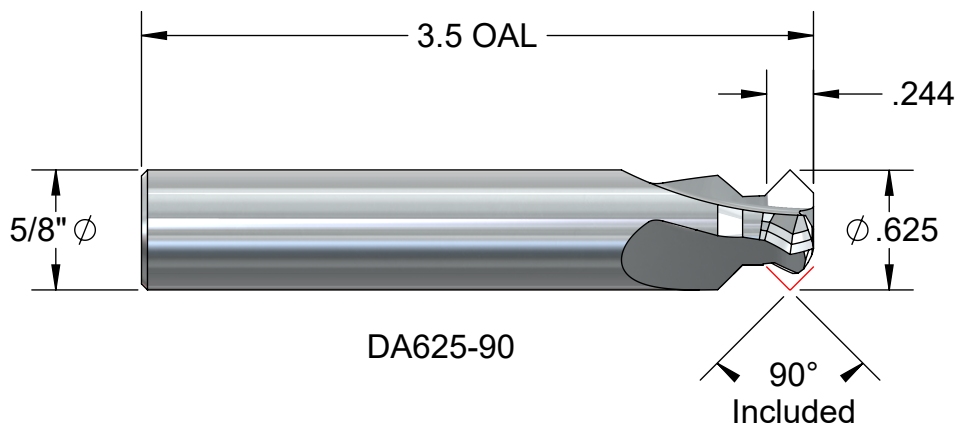


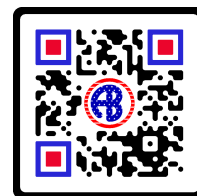
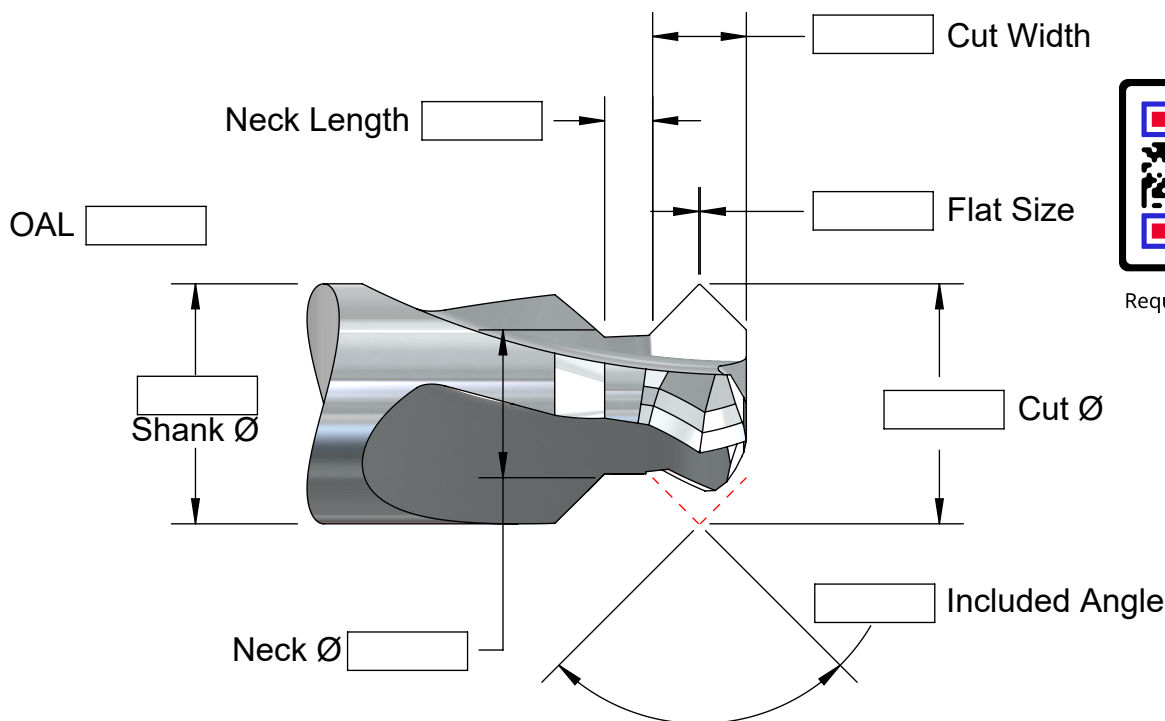
# Solid Carbide Male Picatinny (Fixture) Cutter



Number	Flutes	Price	
		No-Coat	AlTiN
DA625-90-3	3	\$175.	\$187.
DA625-90-4	4	\$183.	\$195.

## Special Male Picatinny (Fixture) Cutters in 4-6 Working Days

Machining what part material, please? \_\_\_\_\_



Request For Quote



A. B. TOOLS, INC.  
1051 Aviation Blvd.  
Lincoln, CA 95648-9312

Phone 916 408-2442  
FAX 916 993-3949

www.abtoolsinc.com  
E-Mail: mail@abtoolsinc.com