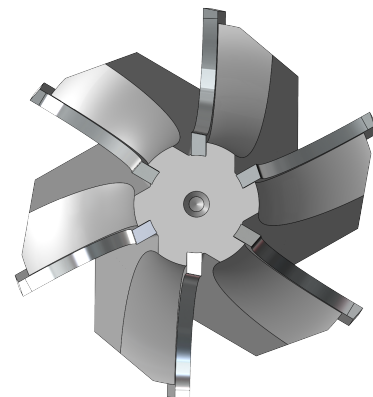
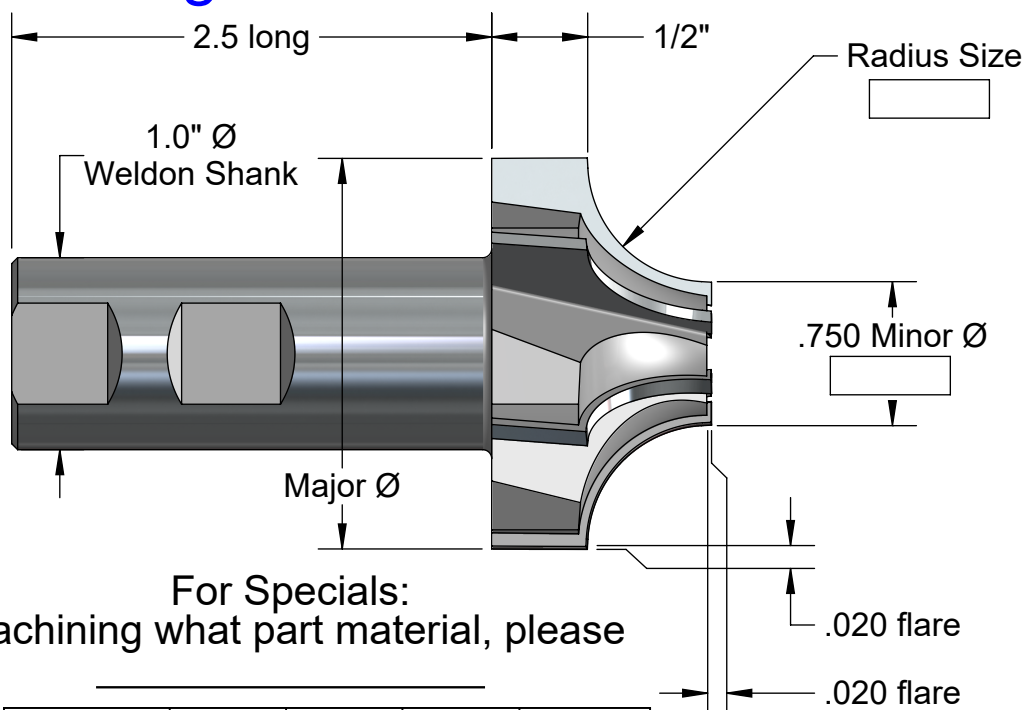


# Large Radii M42 Cobalt Corner Rounders



For Specials:  
Machining what part material, please



Request For Quote

Number	Radius	Major Ø	No. of Flutes	Price
CCR-625	.625	2.04	6	\$600.
CCR-687	.687	2.16	6	\$610.
CCR-719	.719	2.23	6	\$615.
CCR-750	.750	2.29	6	\$620.
CCR-787	.787	2.36	6	\$625.
CCR-812	.812	2.41	6	\$630.
CCR-875	.875	2.54	6	\$650.
CCR-937	.937	2.66	6	\$665.
CCR-984	.984	2.76	6	\$675.
CCR-1000	1.000	2.79	6	\$685.
CCR-1063	1.063	2.91	6	\$700.
CCR-1125	1.125	3.04	6	\$715.
CCR-1181	1.181	3.15	6	\$735.
CCR-1250	1.250	3.29	6	\$760.
CCR-1312	1.312	3.41	6	\$800.
CCR-1375	1.375	3.54	6	\$865.
CCR-1437	1.437	3.66	6	\$940.
CCR-1500	1.500	3.79	6	\$1010.

We've milled full radius cuts with these Corner Rounders in M2 HSS at 90 SFM and .0015 Inch Per Tooth Chip Load with GREAT results

\*\*\*Coatings available upon request.



A. B. TOOLS, INC.  
1051 Aviation Blvd.  
Lincoln, CA 95648-9312

Phone 916 408-2442  
FAX 916 993-3949

www.abtoolsinc.com  
E-Mail: mail@abtoolsinc.com