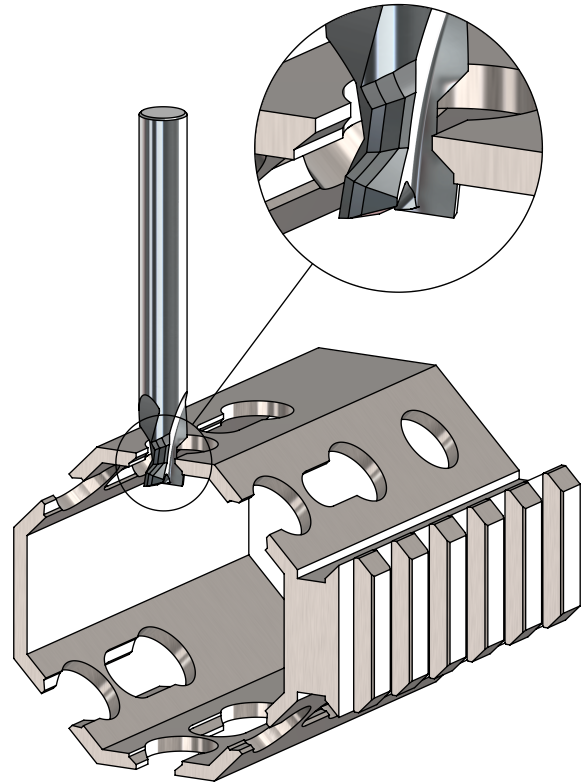
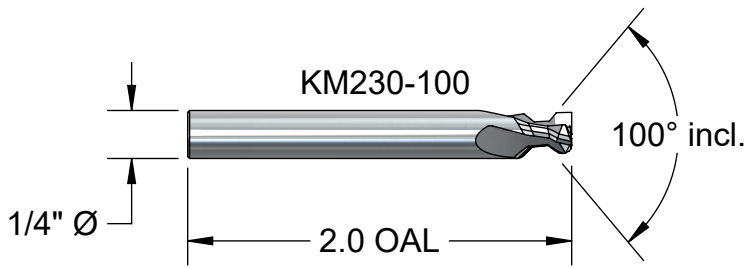


# Solid Carbide Keymod Cutter

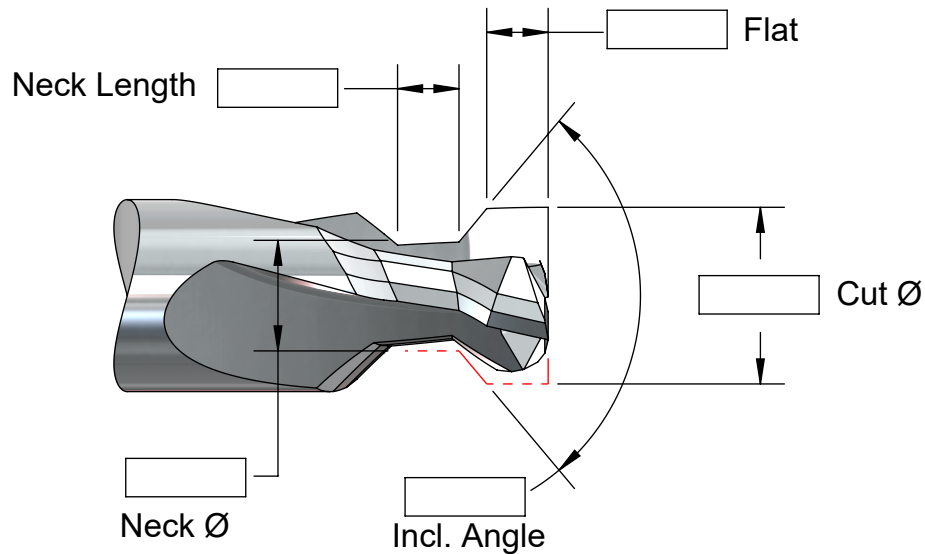
(3) flutes



Number	Price	
	No-Coat	AlTiN
KM230-100	\$95.	\$98.

**Special Keymod Cutters in 4-6 Working Days**

Machining what part material, please? \_\_\_\_\_



Request For Quote



A. B. TOOLS, INC.  
1051 Aviation Blvd.  
Lincoln, CA 95648-9312

Phone 916 408-2442  
FAX 916 993-3949

www.abtoolsinc.com  
E-Mail: mail@abtoolsinc.com