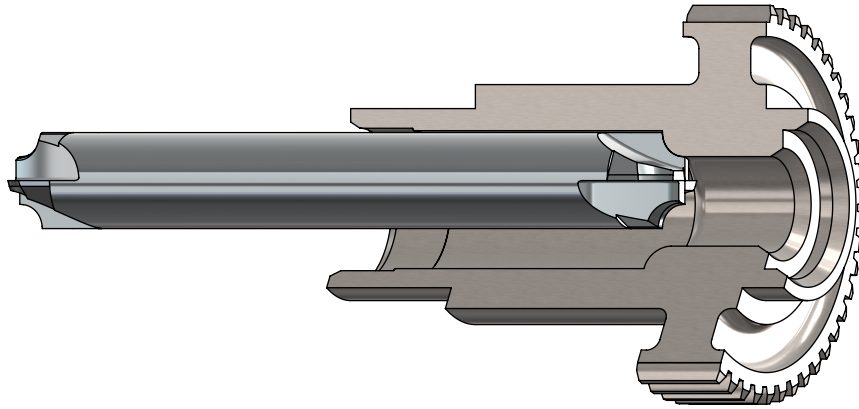
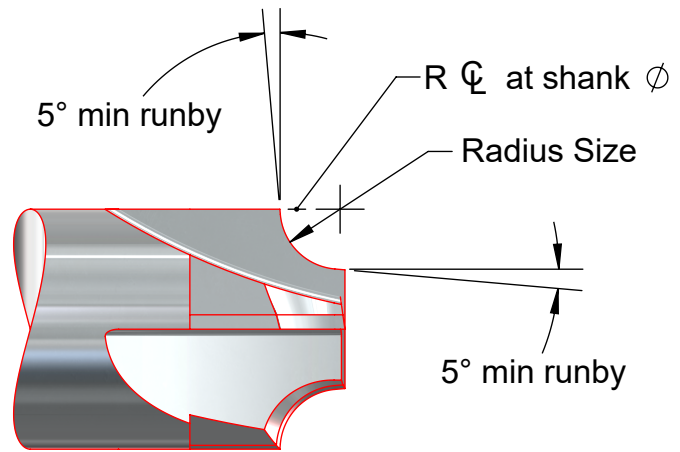


Extended Reach, Double End, Solid Carbide, Corner Rounders



Specials in 4-6 Working Days

Radius center at shank ϕ allows machining close to other features.



Number	Radius sizes, add to prefix, example CRL1/2-062	Shank ϕ & OAL	Flutes	Price
CRL1/4-	.010 .015 .020 .031 .046 .062	1/4" X 3.0	2 or 4	\$100.
CRL3/8-	.010 .015 .020 .031 .046 .062	3/8" X 4.0	2 or 4	\$120.
	.093 .125	3/8" X 4.0	2 or 4	
CRL1/2-	.010 .015 .020 .031 .046 .062 .093 .125	1/2" X 4.0	2 or 4	\$145.
	.156 .187	1/2" X 4.0	2 or 4	



A. B. TOOLS, INC.
1051 Aviation Blvd.
Lincoln, CA 95648-9312

Phone 916 408-2442
FAX 916 993-3949

www.abtoolsinc.com
E-Mail: mail@abtoolsinc.com