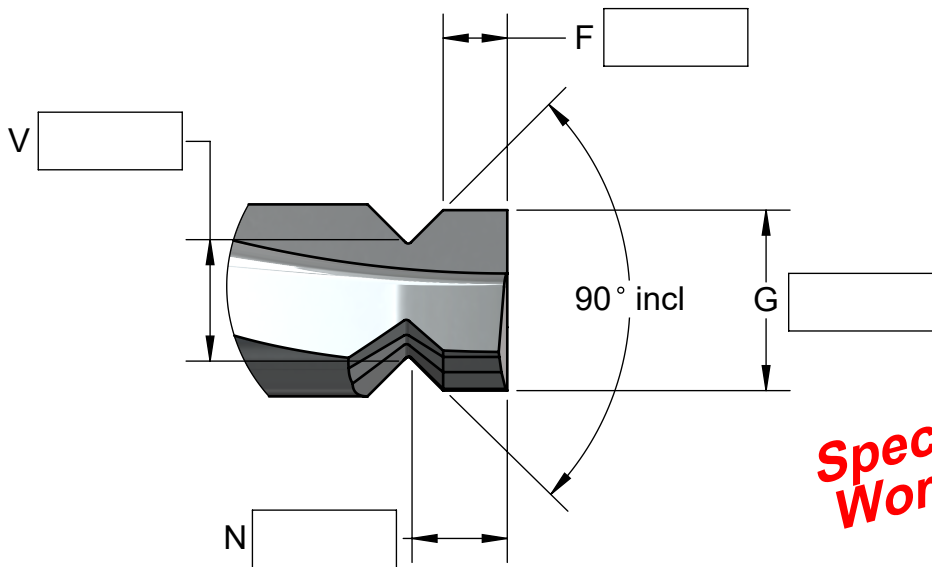


Solid Carbide DSP Cutters for protective cable grooves

Number	"G"	"N"	"F"	"V"	Shank Ø	OAL	Flutes	Price
DSP-02	.047	.023	.0125	.026	3/16"	2.0	2	\$75.
DSP-03	.064	.036	.021	.034	3/16"	2.0	2	\$75.
DSP-04B	.095	.045	.022	.049	3/16"	2.0	2	\$80.
DSP-070	.095	.053	.0325	.054	3/16"	2.0	2	\$80.
DSP-05B	.110	.059	.035	.062	3/16"	2.0	2	\$80.
DSP-06	.126	.071	.0455	.075	3/16"	2.0	2	\$85.
DSP-103	.142	.077	.048	.084	3/16"	2.0	2	\$85.
DSP-07B	.157	.079	.0485	.094	3/16"	2.0	2	\$85.
DSP-08	.172	.096	.060	.100	3/16"	2.0	2	\$85.
DSP-139	.188	.113	.0715	.105	1/4"	2.0	2	\$95.
DSP-09	.188	.105	.0705	.119	1/4"	2.0	2	\$95.
DSP-11	.235	.129	.0835	.144	1/4"	2.0	2	\$95.
DSP-12	.251	.147	.093	.144	3/8"	2.5	2	\$110.
DSP-16	.344	.185	.128	.229	3/8"	2.5	2	\$115.
DSP-20	.407	.233	.164	.269	1/2"	2.5	3	\$130.
DSP-24	.501	.280	.196	.333	1/2"	2.5	3	\$185.
DSP-32	.657	.377	.267	.437	3/4"	3.0	4	\$260.



Specials in 4-6
Working Days



Request For Quote

Multi Seal Solid Carbide DMSP Cutter

Number	"G"	"N"	"F"	"V"	Shank Ø	OAL	Flutes	Price
DMSP-04	.187	.051	.016	.117	3/16"	2.0	2	\$85.
DMSP-06	.250	.074	.028	.159	3/8"	2.5	2	\$100.
DMSP-08	.313	.086	.044	.229	3/8"	2.5	3	\$110.
DMSP-12	.500	.145	.063	.336	1/2"	2.5	3	\$185.
DMSP-16	.625	.192	.106	.454	5/8"	3.5	4	\$220.



A. B. TOOLS, INC.
1051 Aviation Blvd.
Lincoln, CA 95648-9312

Phone 916 408-2442
FAX 916 993-3949

www.abtoolsinc.com
E-Mail: mail@abtoolsinc.com