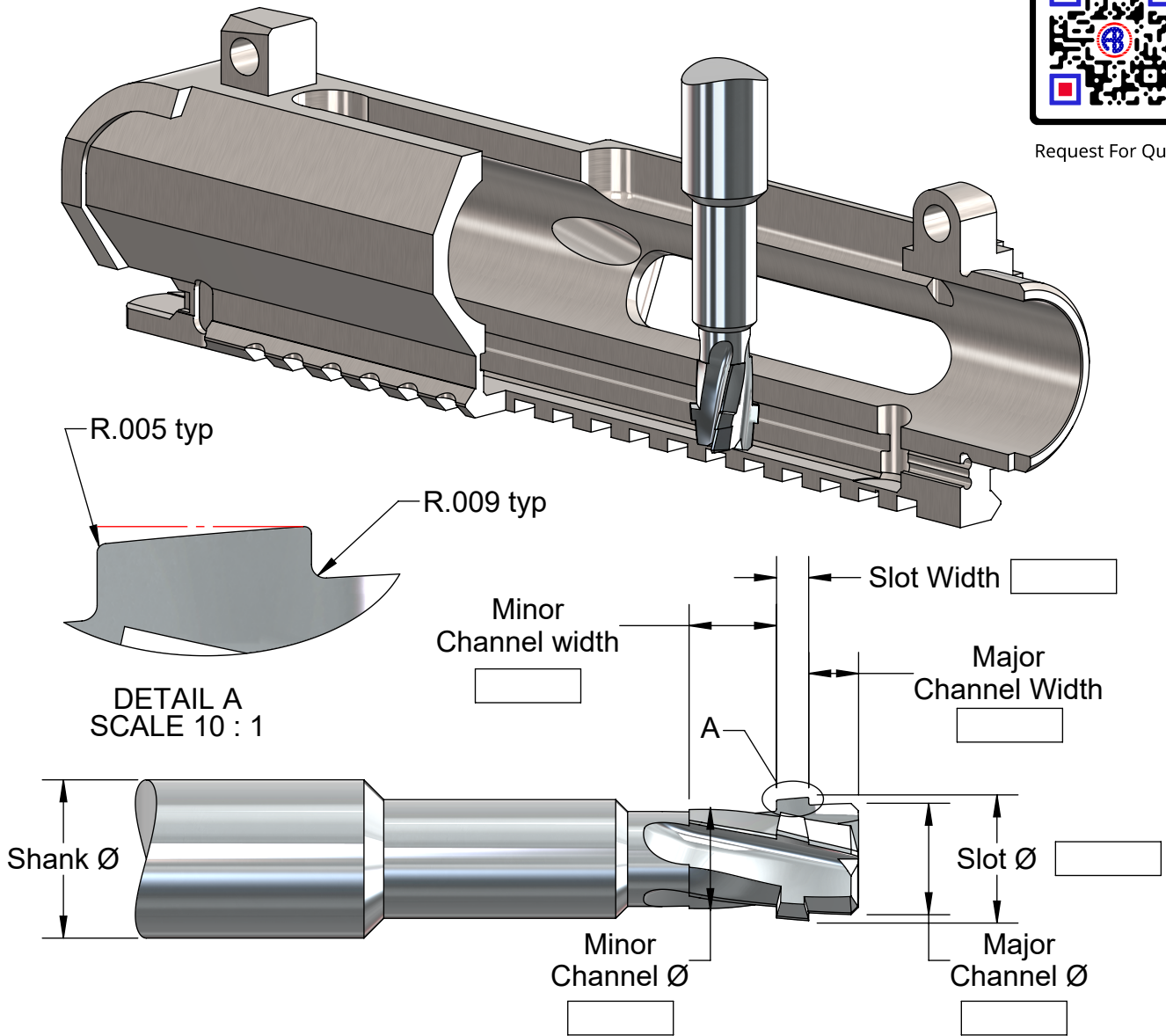


Charging Handle Slot Cutter



Request For Quote



Special Charging Handle Slot Cutters in 4 - 6 working days

Machining what part material, please? _____

Number	Slot Ø	Slot Width	Helix	Shank Ø & OAL	No. of Flutes	Price	
						No-Coat	AlTiN
CHSC-R15	.486	.127	15°	5/8" X 5.0	3	\$250.	\$265.
CHSC-R30	.486	.127	30°	5/8" X 5.0	3	\$250.	\$265.
CHSC-F15	.506	.127	15°	5/8" X 5.0	4	\$250.	\$265.
CHSC-F30	.506	.127	30°	5/8" X 5.0	4	\$250.	\$265.



A. B. TOOLS, INC.
1051 Aviation Blvd.
Lincoln, CA 95648-9312

Phone 916 408-2442
FAX 916 993-3949

www.abtoolsinc.com
E-Mail: mail@abtoolsinc.com