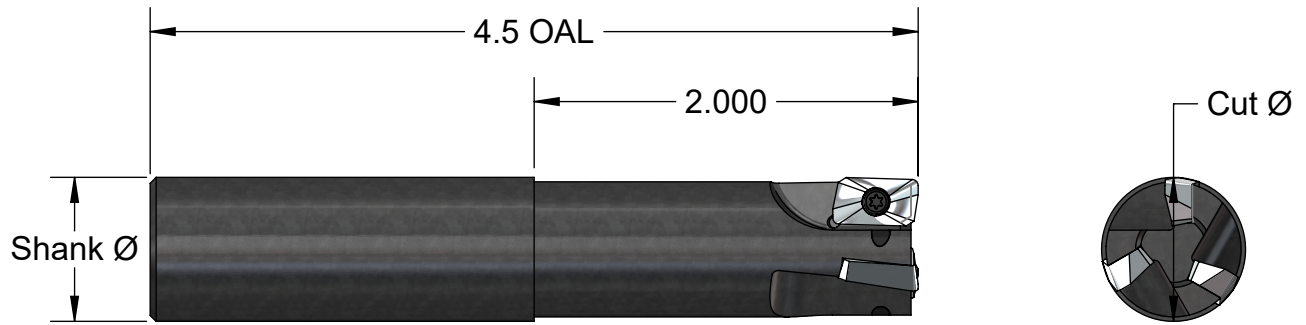
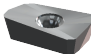


All Purpose Indexable End Mills

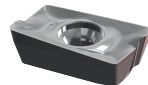




APM750-75 Shown Full Size

Number	Cut Ø	Shank Ø	No. of Flutes	Insert size	Price
APM625-5	.625	1/2"	2	APi11	\$235.
APM625-75	.625	3/4"	2	APi11	\$235.
APM750-5	.750	1/2"	3	APi11	\$275.
APM750-75	.750	3/4"	3	APi11	\$275.
APM100-75-11	.750	3/4"	3	APi11	\$290.
APM100-75	1.000	3/4"	2	APi16	\$290.
APM100-1	1.000	1"	2	APi16	\$290.
APM125-75	1.250	3/4"	3	APi16	\$360.
APM125-1	1.250	1"	3	APi16	\$360.

APi11 Inserts			
	Number	Radius	Price
	APi11-031G	0.031	\$9.
	APi11-031N	0.031	\$9.

G = General Purpose/Steels N = Non-Ferrous/Aluminum

APi16 Inserts			
	Number	Radius	Price
	APi16-031G	0.031	\$13.75
	APi16-063G	0.063	\$13.75
	APi16-094G	0.094	\$13.75
	APi16-125G	0.125	\$13.75
	APi16-037N	0.037	\$13.75

Hardware	
	
Insert Screw	Wrench
APi11 Insert Size	
2.5MM-AP	T8
\$4.25	\$7.50
APi16 Insert Size	
4MM-AP	T15
\$5.	\$10.00



A. B. TOOLS, INC.
1051 Aviation Blvd.
Lincoln, CA 95648-9312

Phone 916 408-2442
FAX 916 993-3949

www.abtoolsinc.com
E-Mail: mail@abtoolsinc.com