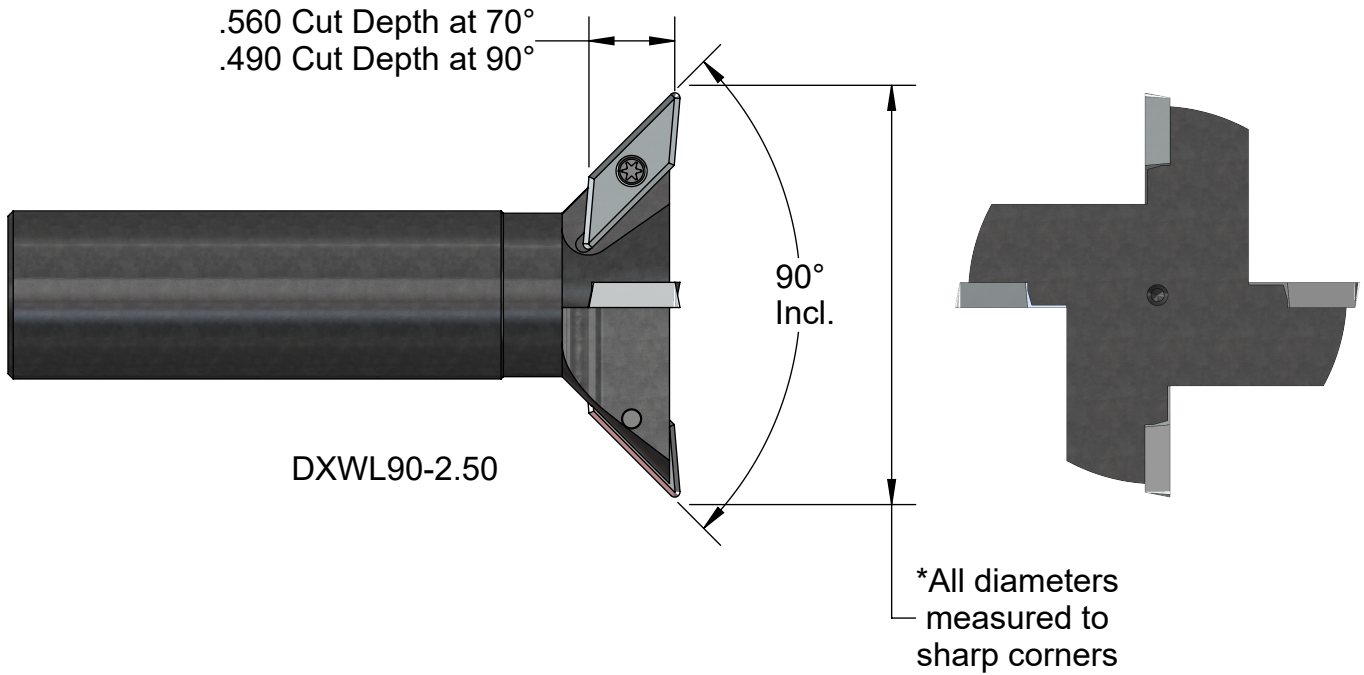
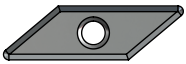




70° to 90° Dexi-Dovetails wider, stronger inserts



Number	*Cut Ø	Cut Depth	Incl. Angle	Shank Ø & OAL	Flutes	Price
DXWL70-2.0	2.000	.560	70°	1" X 4.0	3	\$425.
DXWL80-2.25	2.250	.530	80°	1" X 4.0	3	\$470.
DXWL90-2.25	2.250	.490	90°	1" X 4.0	3	\$470.
DXWL90-2.50	2.500	.490	90°	1" X 4.0	4	\$575.
DXWL90-3.0	3.000	.490	90°	1" X 4.0	4	\$635.

Wide Insert				
	Insert Number	Radius	Price	
			No-Coat	AlTiN
	Di90WL-1	.015	\$20.	\$25.
Di90WL-2	.030			

Screw & Key	Number	Price
	DX-3MM	\$2.50
	T9	\$7.50

Insert screw torque to 18-20 in lbs.



A. B. TOOLS, INC.
1051 Aviation Blvd.
Lincoln, CA 95648-9312

Phone 916 408-2442
FAX 916 993-3949

www.abtoolsinc.com
E-Mail: mail@abtoolsinc.com