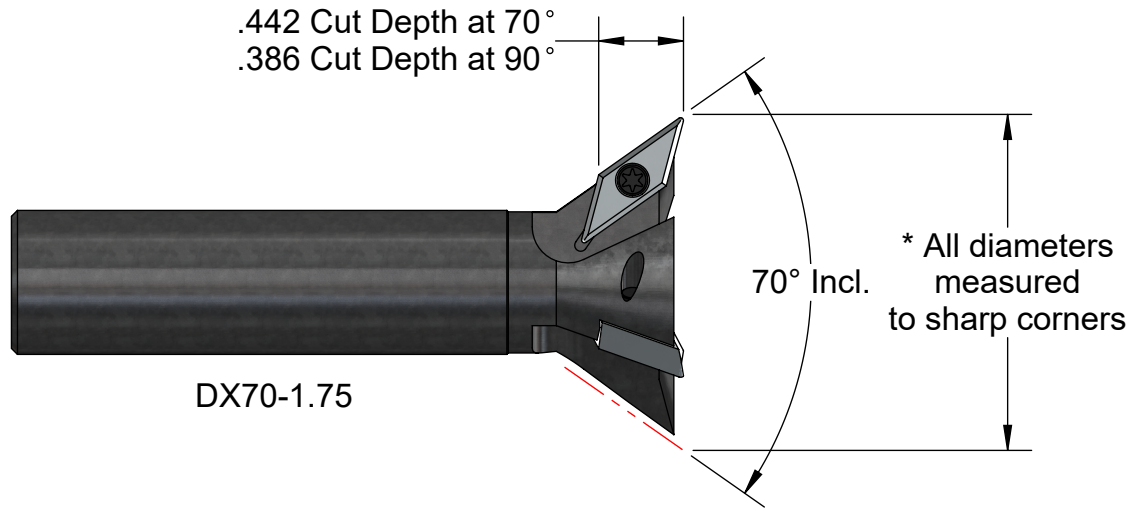


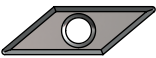
**NEW !!!**

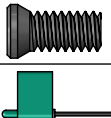
# 70° to 90° Dexi-Dovetail Short Inserts

**NEW !!!**



Number	*Cut Ø	Cut Depth	Incl. Angle	Shank Ø & Overall	Flutes	Price
DX70-1.75	1.75	.442	70°	3/4" X 3.5	3	<b>\$375.</b>
DX80-1.75	1.75	.415	80°	3/4" X 3.5	3	<b>\$375.</b>
DX90-1.75	1.75	.386	90°	3/4" X 3.5	3	<b>\$375.</b>

Short Insert 	Insert Number	Radius	Price	
			No-Coat	AlTiN
	Di90-1	.015	<b>\$17.</b>	<b>\$20.</b>

Screw & Key 	Number	Price
	DX-3MM	<b>\$2.50</b>
	T9	<b>\$7.50</b>

Insert screw torque to 18-20 in lbs.



A. B. TOOLS, INC.  
1051 Aviation Blvd.  
Lincoln, CA 95648-9312

Phone 916 408-2442  
FAX 916 993-3949

www.abtoolsinc.com  
E-Mail: mail@abtoolsinc.com