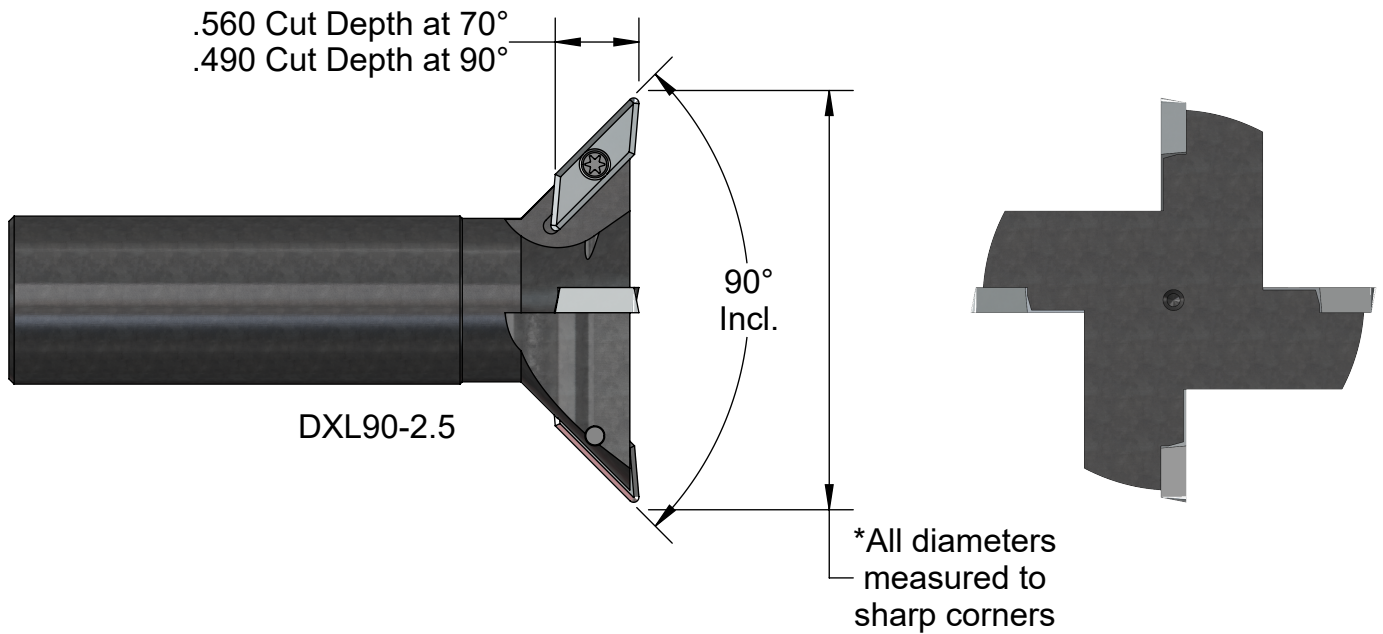
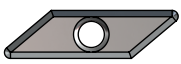




# 70° to 90° Dexi-Dovetail Original Width Inserts



Number	*Cut Ø	Cut Depth	Incl. Angle	Shank Ø & OAL	Flutes	Price
DXL70-1.75	1.75	.560	70°	3/4" X 3.75	3	\$405.
DXL70-2.0	2.0	.560	70°	1" X 3.75	3	\$415.
DXL75-2.0	2.0	.550	75°	1" X 3.75	3	\$415.
DXL80-2.0	2.0	.530	80°	1" X 3.75	3	\$415.
DXL90-2.0	2.0	.490	90°	3/4" X 3.75	3	\$415.
DXL90-2.5	2.5	.490	90°	1" X 3.75	4	\$550.
DXL90-3.0	3.0	.490	90°	1" X 3.75	5	\$625.

Original Long Insert 	Insert Number	Radius	Price	
			No-Coat	AlTiN
	Di90L-1	.015		
	Di90L-2	.030	\$19.	\$24.
	Di90L-3	.046		

Screw & Key	Number	Price
	DX-3MM	\$2.50
	T9	\$7.50

Insert screw torque to 18-20 in lbs.



A. B. TOOLS, INC.  
1051 Aviation Blvd.  
Lincoln, CA 95648-9312

Phone 916 408-2442  
FAX 916 993-3949

www.abtoolsinc.com  
E-Mail: mail@abtoolsinc.com