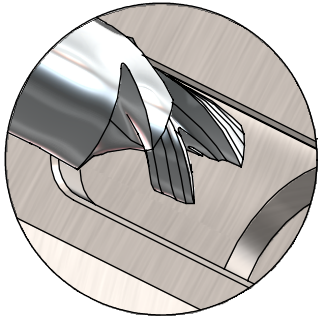


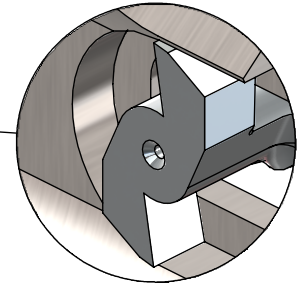
# M-LOK Cutters

M-LOK Slot & Chamfer Cutter

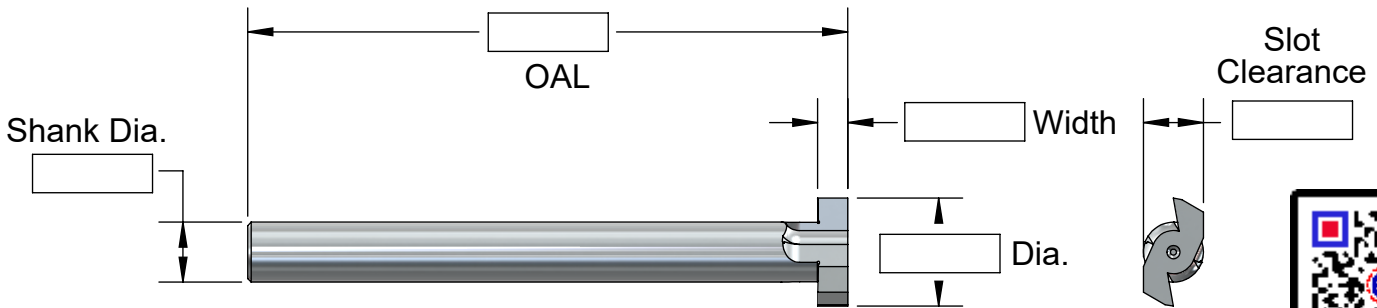
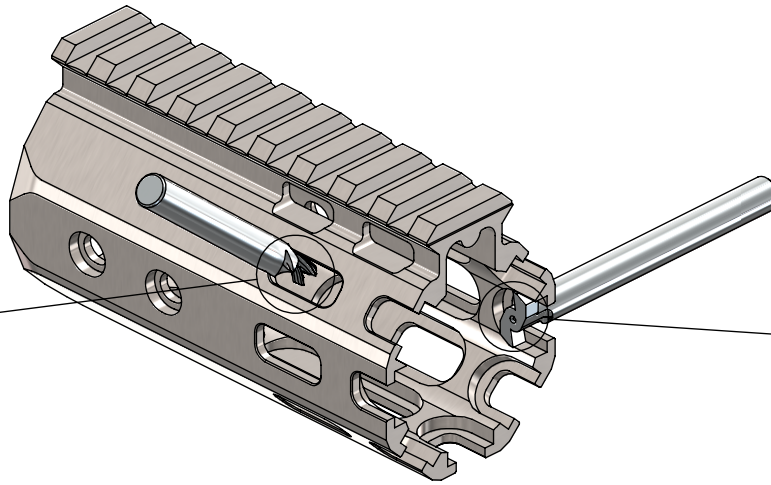


MLSC

M-LOK Back Face Cutter



MLBC

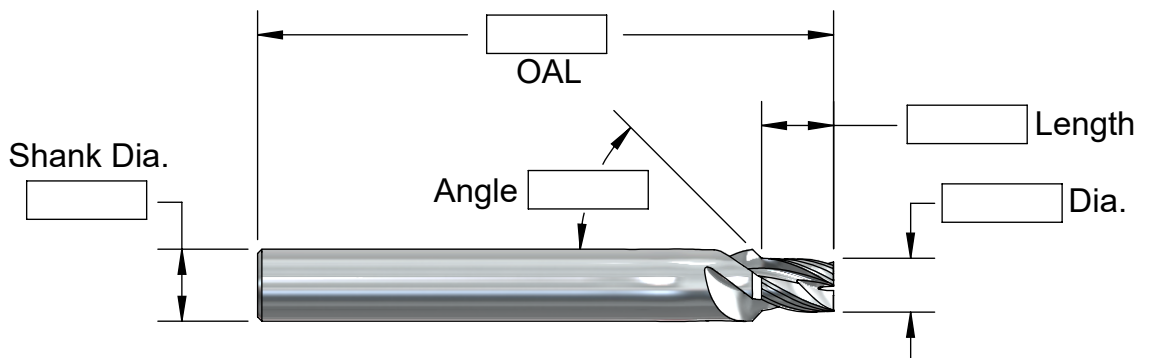


Request For Quote

Number	Dia.	Width	Shank Dia.	OAL	No. of Flutes	Price
MLBC450	.450	.125	1/4"	2.5	2	\$125.
MLBC475	.475	.125	1/4"	2.5	2	\$125.



Request For Quote



Number	Dia.	Length	Angle	Shank Dia.	OAL	No. of Flutes	Price
MLSC1875	.1875	.250	45°	1/4"	2.0	3	\$75.



A. B. TOOLS, INC.  
1051 Aviation Blvd.  
Lincoln, CA 95648-9312

Phone 916 408-2442  
FAX 916 993-3949

www.abtoolsinc.com  
E-Mail: mail@abtoolsinc.com