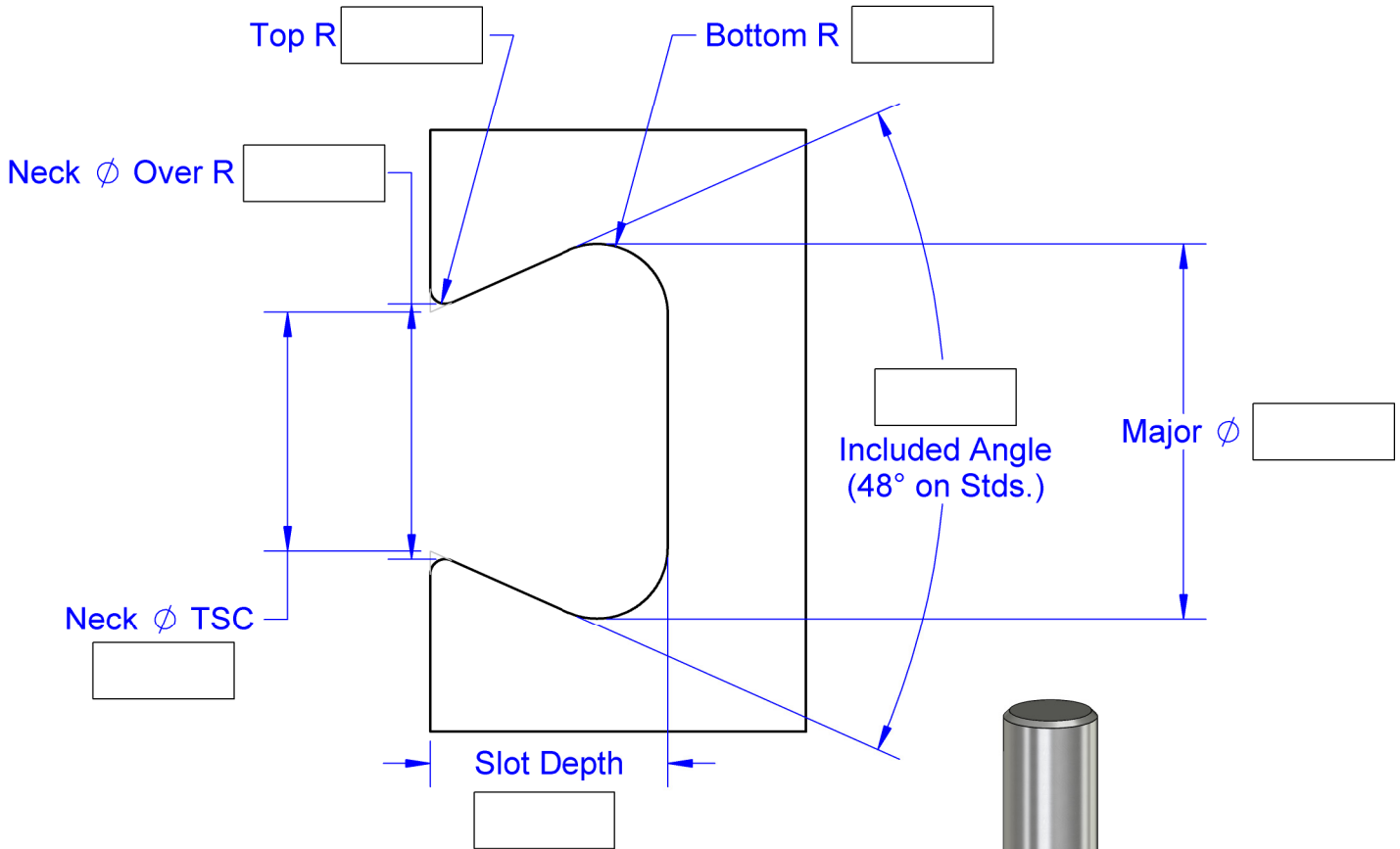


# Solid Carbide Dovetail Cutters for O-Ring Grooves

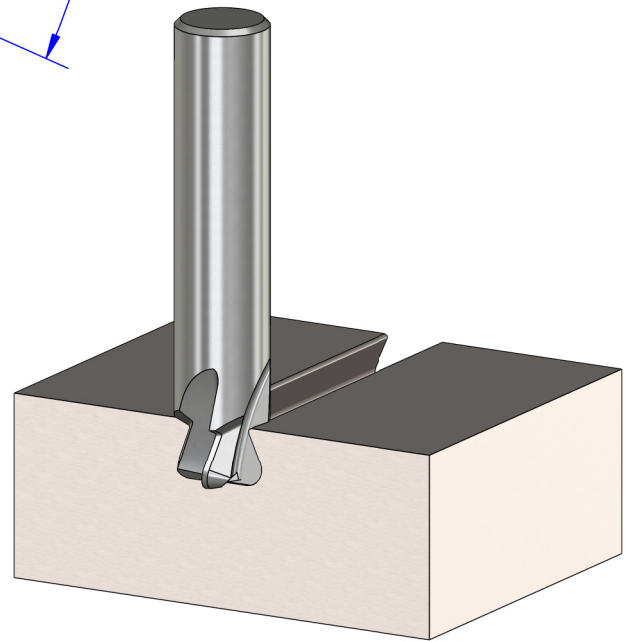
## Specials in 4-6 working days

Machining what part material, please? \_\_\_\_\_

Number of flutes is based on part material and Neck  $\phi$ .



Shank  $\phi$  and overall length are based on cutter Major  $\phi$ . Or per request if feasible.



Basic Prices		
Major $\phi$	1 tool	2 tools
Up to .250	\$160.	\$135. ea
.251 thru .375	\$195.	\$150. ea
.376 thru .500	\$235.	\$165. ea
.501 thru .625	\$325.	\$240. ea
.626 thru .750	\$360.	\$265. ea



A. B. TOOLS, INC.  
1051 Aviation Blvd.  
Lincoln, CA 95648-9312

Phone 916 408-2442  
FAX 916 993-3949

www.abtoolsinc.com  
E-Mail: mail@abtoolsinc.com