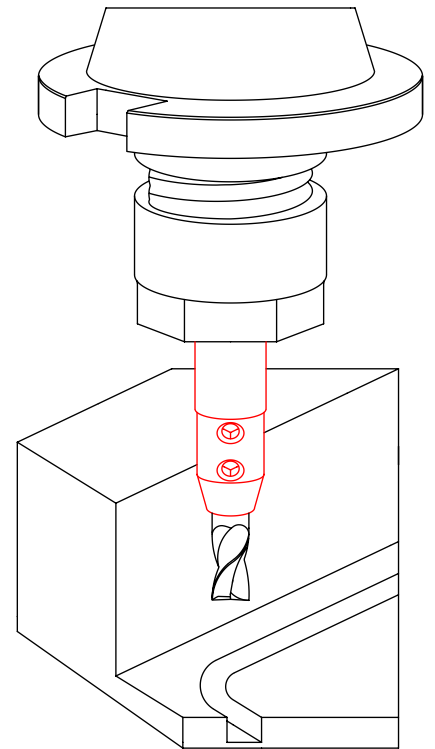
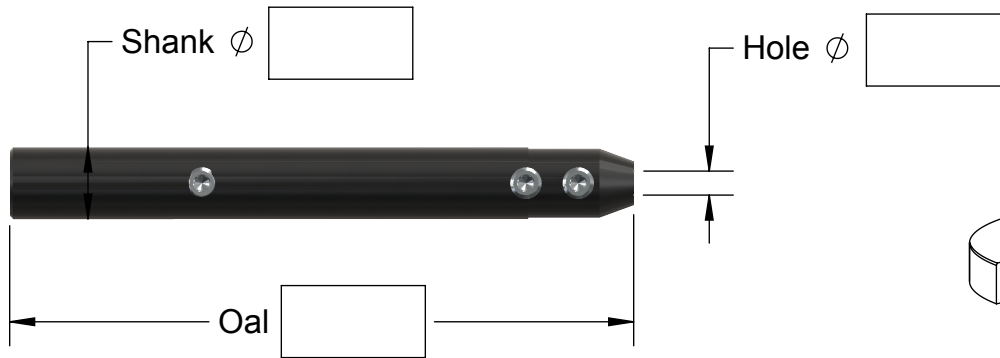


The Accu-Hold

The MOST precise extension holder you have ever used.

Concentric within .0003; Hole size is plus .00015 and minus Zero.

Improves rigidity, concentricity, and coolant effectiveness.



Number	Hole size Ø	Decimal Equiv.	Shank size Ø	Overall Length	Screw Size	Price
ACH3/32	3/32	.0937	3/8	2-1/4	5-40	\$165.
ACH1/8	1/8	.125	3/8	3-1/4	8-32	\$175.
ACH1/8-6	1/8	.125	3/8	6	8-32	\$250.
ACH5/32	5/32	.1562	1/2	3-1/2	8-32	\$150.
ACH3/16	3/16	.1875	1/2	3-1/2	8-32	\$150.
ACH3/16-5	3/16	.1875	1/2	5	8-32	\$185.
ACH1/4	1/4	.250	5/8	4-1/4	10-32	\$160.
ACH1/4-6	1/4	.250	5/8	6	10-32	\$190.
ACH5/16	5/16	.3125	3/4	4-1/2	1/4-28	\$175.
ACH3/8	3/8	.375	3/4	4-1/2	5/16-24	\$185.
ACH3/8-6	3/8	.375	3/4	6	5/16-24	\$215.
ACH7/16	7/16	.4375	3/4	4-1/2	5/16-24	\$200.
ACH1/2*	1/2	.500	3/4	4-3/4	3/8-24	\$235.
ACH1/2-1	1/2	.500	1	4-3/4	3/8-24	\$250.
ACH1/2-6	1/2	.500	1	6	3/8-24	\$275.
ACH9/16	9/16	.5625	1	5-1/4	3/8-24	\$275.
ACH5/8	5/8	.625	1	5-1/2	3/8-24	\$275.
ACH3/4**	3/4	.750	1	5-1/4	7/16-20	\$310.
ACH3/4-1.25	3/4	.750	1-1/4	6	7/16-20	\$315.
ACH1.0**	1	1.000	1	5-1/2	7/16-20	\$445.

*The ACH1/2 has a 1 Dia. x 1.5 long head.

**The ACH3/4 and ACH1.0 have a 1-1/4 Dia. x 2-1/4 long head and the holes are only 2" deep.



Phone 916 408-2442 FAX 916 408-0740

A. B. TOOLS, INC.
1051 Aviation Blvd.
Lincoln, CA, 95648-9312

If any product is not satisfactory
we will modify, replace or refund.

Toll free phone 866 440-8665

www.abtoolsinc.com
E-Mail: mail@abtoolsinc.com