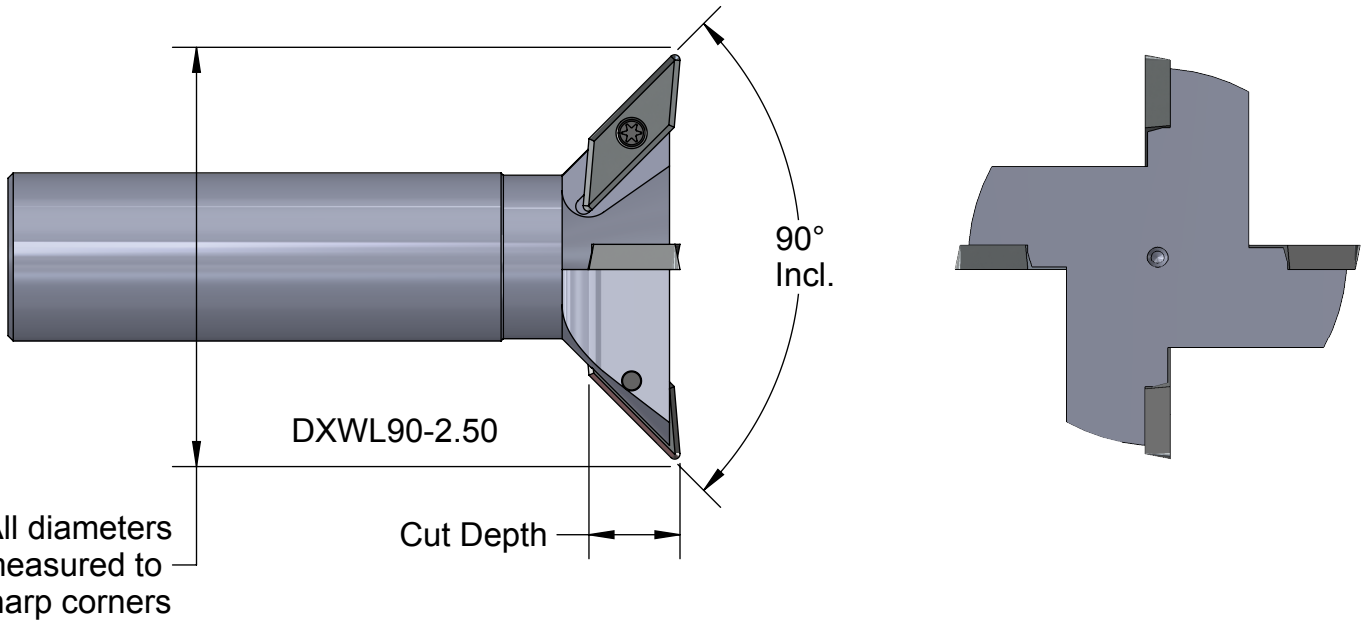


NEW !!! 70° to 90° Dexi-Dovetails wider, stronger inserts

NEW !!!



Number	*Dia.	Cut Depth	Incl. Angle	Shank & OAL	Flutes	Price
DXWL70-2.0	2.000	.560	70°	1 X 4	3	\$370.
DXWL80-2.25	2.250	.530	80°	1 X 4	3	\$405.
DXWL90-2.25	2.250	.490	90°	1 X 4	3	\$405.
DXWL90-2.50	2.500	.490	90°	1 X 4	4	\$460.
DXWL90-3.0	3.000	.490	90°	1 X 4	5	\$515.

Wide Insert				
	Insert Number	Radius	Price	
			No-Coat	AlTiN
	Di90WL-1	.015	\$13.75	\$16.25
Di90WL-2	.030			

Screw & Key	Number	Price
	DX-3MM	\$2.00
	T8	\$5.50



Phone 916 408-2442 FAX 916 408-0740

A. B. TOOLS, INC.
1051 Aviation Blvd.
Lincoln, CA, 95648-9312

If any product is not satisfactory
we will modify, replace or refund.

Toll free phone 866 440-8665

www.abtoolsinc.com
E-Mail: mail@abtoolsinc.com