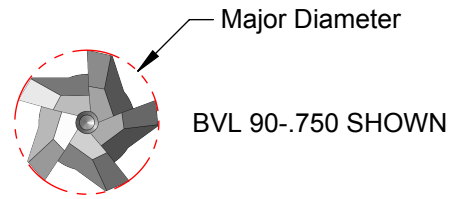
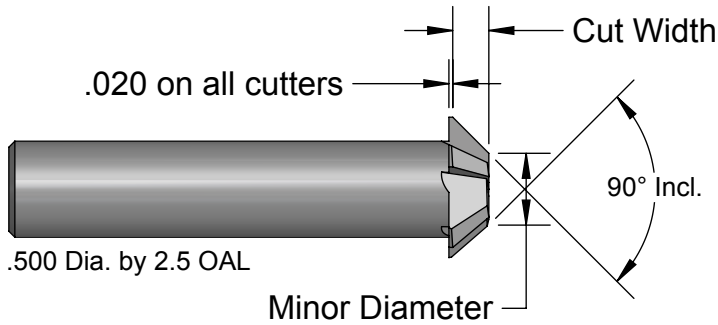


# Bevel Cutters, Solid Carbide, In Stock.



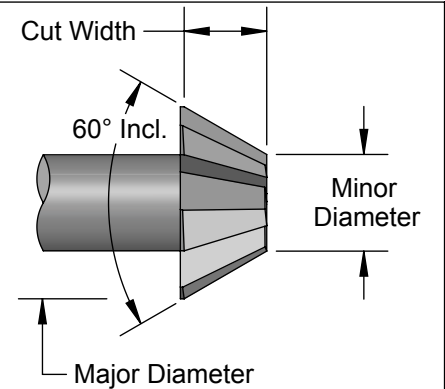
## 90° Included Angles

Number	Major Diameter	Minor Diameter	Cut Width	Number of Flutes	Price
BVL 90-.500	.500	.250	.125	4	\$100.
BVL 90-.750	.750	.375	.188	5	\$125.
BVL 90-1.00	1.000	.375	.312	6	\$145.
BVL 90-1.25	1.250	.500	.375	8	\$165.
BVL 90-1.50*	1.500	.500	.500	10	\$195.

**Specials in 4-6 Working Days**

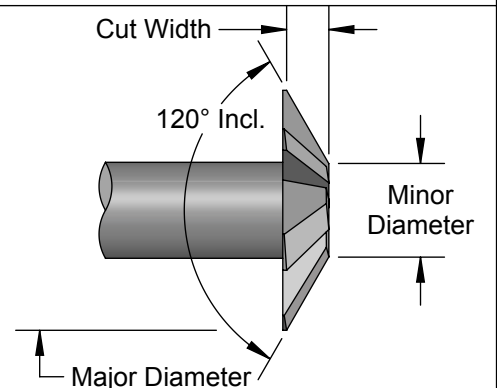
## 60° Included Angles

Number	Major Diameter	Minor Diameter	Cut Width	Number of Flutes	Price
BVL 60-.500	.500	.246	.220	4	\$100.
BVL 60-.750	.750	.390	.312	5	\$125.
BVL 60-1.00	1.000	.503	.430	6	\$145.
BVL 60-1.25*	1.250	.673	.500	8	\$185.
BVL 60-1.50*	1.500	.778	.625	10	\$195.



## 120° Included Angles

Number	Major Diameter	Minor Diameter	Cut Width	Number of Flutes	Price
BVL 120-.500	.500	.188	.090	4	\$100.
BVL 120-.750	.750	.317	.125	5	\$125.
BVL 120-1.00	1.000	.350	.188	6	\$145.
BVL 120-1.25	1.250	.488	.220	8	\$165.
BVL 120-1.50	1.500	.634	.250	10	\$195.



\* These cutters are on 3/4" shanks and 2-3/4" OAL



Phone 916 408-2442 FAX 916 408-0740

A. B. TOOLS, INC.  
1051 Aviation Blvd.  
Lincoln, CA, 95648-9312

If any product is not satisfactory  
we will modify, replace or refund.

Toll free phone 866 440-8665

www.abtoolsinc.com  
E-Mail: mail@abtoolsinc.com