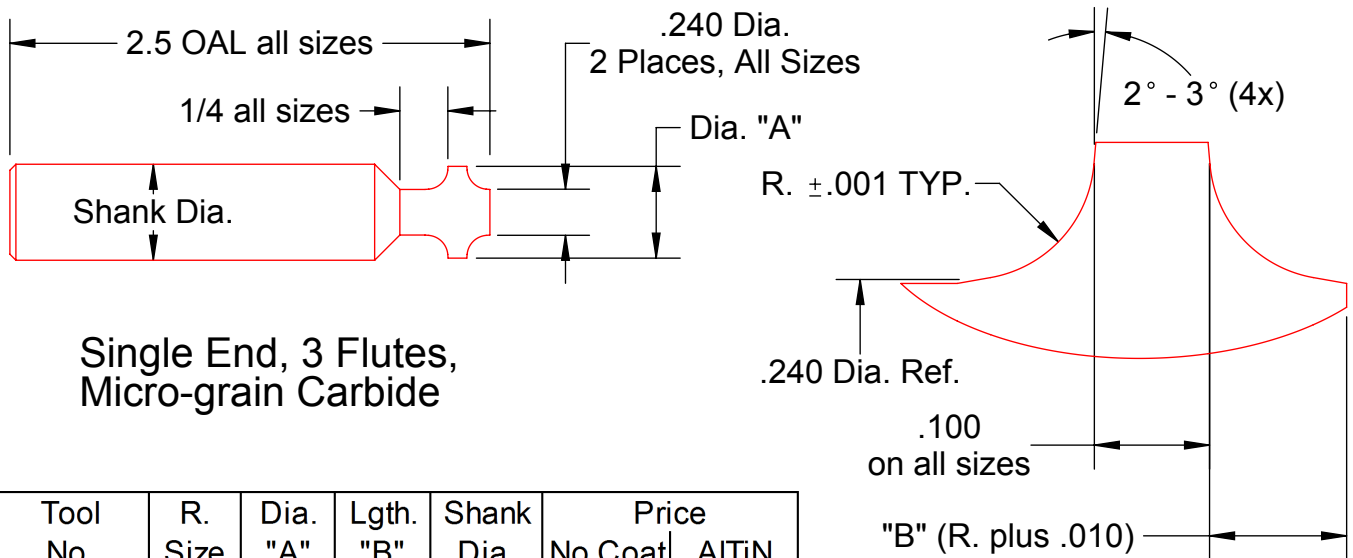
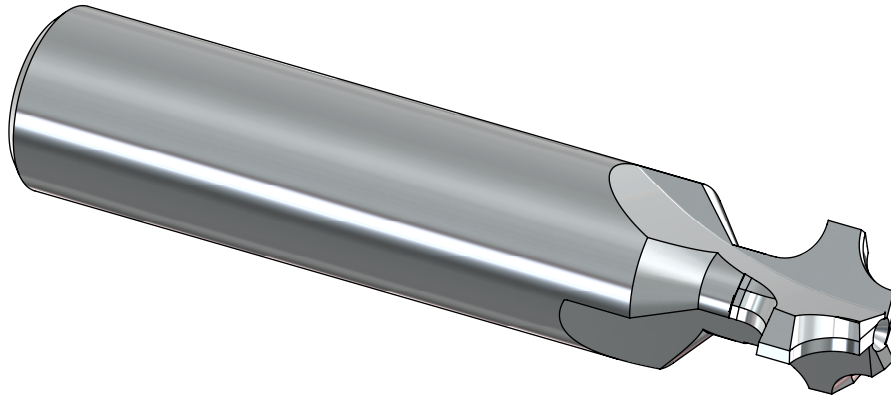


Solid Carbide TOP & BOTTOM Corner Rounders



Single End, 3 Flutes,
Micro-grain Carbide

Tool No.	R. Size	Dia. "A"	Lgth. "B"	Shank Dia.	Price	
					No Coat	AlTiN
CRD-015	.015	.290	.025	3/8	\$135.	\$142.
CRD-020	.020	.300	.030	3/8	\$135.	\$142.
CRD-031	.031	.322	.041	3/8	\$135.	\$142.
CRD-040	.040	.340	.050	3/8	\$135.	\$142.
CRD-046	.046	.352	.056	3/8	\$135.	\$142.
CRD-062	.062	.384	.072	1/2	\$150.	\$159.
CRD-078	.078	.416	.088	1/2	\$150.	\$159.
CRD-093	.093	.446	.103	1/2	\$150.	\$159.
CRD-109	.109	.478	.119	1/2	\$150.	\$159.
CRD-125	.125	.510	.135	1/2	\$150.	\$159.

**Specials in 4-6
Working Days**



Phone 916 408-2442 FAX 916 408-0740

A. B. TOOLS, INC.
1051 Aviation Blvd.
Lincoln, CA, 95648-9312

If any product is not satisfactory
we will modify, replace or refund.

Toll free phone 866 440-8665

www.abtoolsinc.com
E-Mail: mail@abtoolsinc.com