

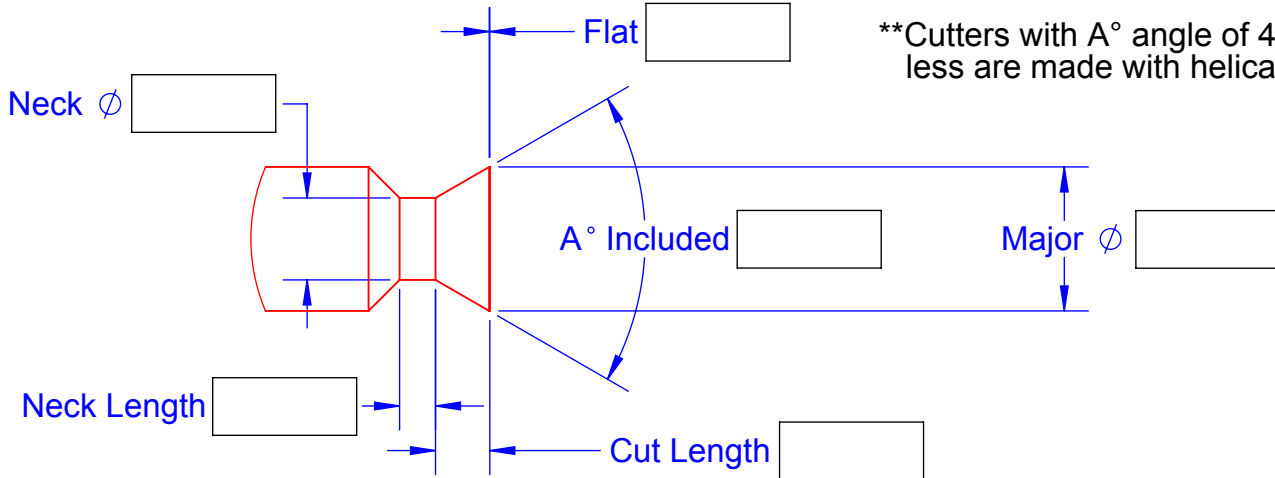
Solid Carbide Dovetail Cutters

3/8" Major Ø x 2.5" OAL. With 3/16" Neck Length. 3 Flutes.

| Number | A° | Cut Lngth | Neck Ø | Flat | Price | AITiN |
|-----------|-----|-----------|--------|------|-------|-------|
| DS3/8-10 | 10 | .370 | .260 | .001 | \$76. | \$82. |
| DS3/8-20 | 20 | .370 | .230 | .001 | \$76. | \$82. |
| DS3/8-30 | 30 | .370 | .170 | .001 | \$76. | \$82. |
| DS3/8-40 | 40 | .260 | .170 | .001 | \$76. | \$82. |
| DS3/8-45 | 45 | .235 | .170 | .001 | \$76. | \$82. |
| DS3/8-50 | 50 | .210 | .170 | .002 | \$76. | \$82. |
| DS3/8-60 | 60 | .180 | .170 | .002 | \$76. | \$82. |
| DS3/8-70 | 70 | .145 | .170 | .002 | \$76. | \$82. |
| DS3/8-80 | 80 | .130 | .160 | .002 | \$76. | \$82. |
| DS3/8-90 | 90 | .110 | .160 | .002 | \$76. | \$82. |
| DS3/8-100 | 100 | .090 | .160 | .003 | \$76. | \$82. |
| DS3/8-120 | 120 | .060 | .160 | .003 | \$76. | \$82. |

1/2" Major Ø x 2.5" OAL. With 3/16" Neck Length. 3 Flutes.

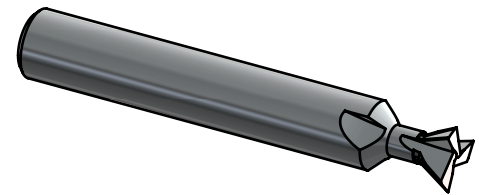
| Number | A° | Cut Lngth | Neck Ø | Flat | Price | AITiN |
|-----------|-----|-----------|--------|------|-------|-------|
| DS1/2-10 | 10 | .500 | .360 | .001 | \$86. | \$94. |
| DS1/2-20 | 20 | .400 | .300 | .001 | \$86. | \$94. |
| DS1/2-30 | 30 | .320 | .200 | .001 | \$86. | \$94. |
| DS1/2-40 | 40 | .320 | .180 | .001 | \$86. | \$94. |
| DS1/2-45 | 45 | .320 | .180 | .001 | \$86. | \$94. |
| DS1/2-50 | 50 | .320 | .180 | .002 | \$86. | \$94. |
| DS1/2-60 | 60 | .250 | .180 | .002 | \$86. | \$94. |
| DS1/2-70 | 70 | .210 | .180 | .002 | \$86. | \$94. |
| DS1/2-80 | 80 | .180 | .180 | .002 | \$86. | \$94. |
| DS1/2-90 | 90 | .140 | .180 | .002 | \$86. | \$94. |
| DS1/2-100 | 100 | .120 | .180 | .003 | \$86. | \$94. |
| DS1/2-120 | 120 | .090 | .180 | .003 | \$86. | \$94. |



Cutters with A° angle of 45° and less are made with helical flutes.

5/8" Major Ø x 3" OAL. With 3/16" Neck Length. 4 Flutes.

| Number | A° | Cut Lngth | Neck Ø | Flat | Price | AITiN |
|-----------|-----|-----------|--------|------|--------|--------|
| DS5/8-10 | 10 | .600 | .500 | .001 | \$125. | \$134. |
| DS5/8-20 | 20 | .500 | .440 | .001 | \$125. | \$134. |
| DS5/8-30 | 30 | .450 | .360 | .001 | \$125. | \$134. |
| DS5/8-40 | 40 | .400 | .330 | .001 | \$125. | \$134. |
| DS5/8-45 | 45 | .350 | .330 | .001 | \$125. | \$134. |
| DS5/8-50 | 50 | .310 | .330 | .002 | \$125. | \$134. |
| DS5/8-60 | 60 | .250 | .330 | .002 | \$125. | \$134. |
| DS5/8-70 | 70 | .210 | .330 | .002 | \$125. | \$134. |
| DS5/8-80 | 80 | .185 | .310 | .002 | \$125. | \$134. |
| DS5/8-90 | 90 | .150 | .310 | .002 | \$125. | \$134. |
| DS5/8-100 | 100 | .130 | .310 | .003 | \$125. | \$134. |
| DS5/8-120 | 120 | .090 | .310 | .003 | \$125. | \$134. |



Specials in 4-6 Working Days



Phone 916 408-2442 FAX 916 408-0740

A. B. TOOLS, INC.
1051 Aviation Blvd.
Lincoln, CA, 95648-9312

If any product is not satisfactory we will modify, replace or refund.

Toll free phone 866 440-8665

www.abtoolsinc.com
E-Mail: mail@abtoolsinc.com