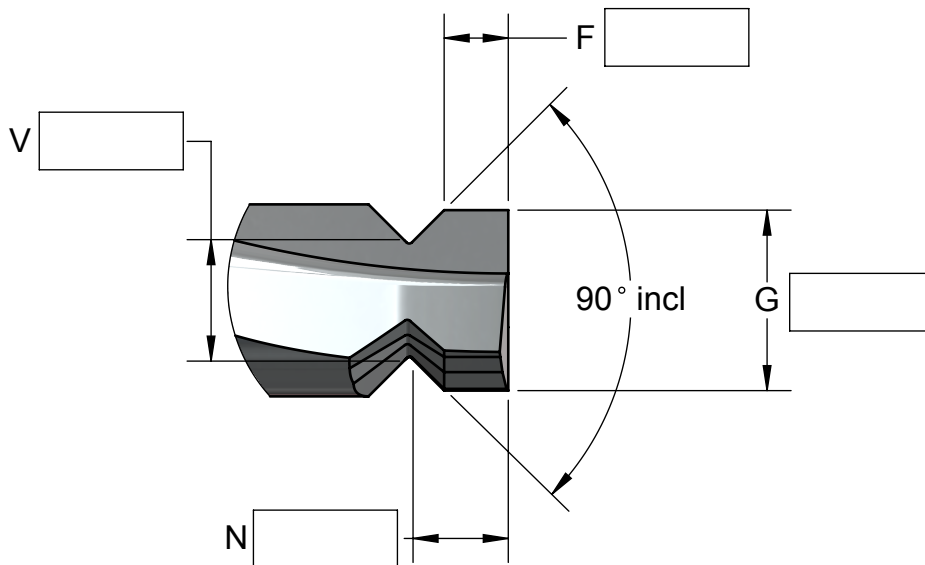


# Solid Carbide DSP Cutters for protective cable grooves

| Number  | "G"  | "N"  | "F"   | "V"  | Shank Ø | OAL | Flutes | Price  |
|---------|------|------|-------|------|---------|-----|--------|--------|
| DSP-02  | .047 | .023 | .0125 | .026 | 3/16    | 2   | 2      | \$70.  |
| DSP-03  | .064 | .036 | .021  | .034 | 3/16    | 2   | 2      | \$70.  |
| DSP-04B | .095 | .045 | .022  | .049 | 3/16    | 2   | 2      | \$75.  |
| DSP-070 | .095 | .053 | .0325 | .054 | 3/16    | 2   | 2      | \$75.  |
| DSP-05B | .110 | .059 | .035  | .062 | 3/16    | 2   | 2      | \$75.  |
| DSP-06  | .126 | .071 | .0455 | .075 | 3/16    | 2   | 2      | \$80.  |
| DSP-103 | .142 | .077 | .048  | .084 | 3/16    | 2   | 2      | \$80.  |
| DSP-07B | .157 | .079 | .0485 | .094 | 3/16    | 2   | 2      | \$80.  |
| DSP-08  | .172 | .096 | .060  | .100 | 3/16    | 2   | 2      | \$80.  |
| DSP-139 | .188 | .113 | .0715 | .105 | 1/4     | 2   | 2      | \$90.  |
| DSP-09  | .188 | .105 | .0705 | .119 | 1/4     | 2   | 2      | \$90.  |
| DSP-11  | .235 | .129 | .0835 | .144 | 1/4     | 2   | 2      | \$90.  |
| DSP-12  | .251 | .147 | .093  | .144 | 3/8     | 2.5 | 2      | \$100. |
| DSP-16  | .344 | .185 | .128  | .229 | 3/8     | 2.5 | 2      | \$100. |
| DSP-20  | .407 | .233 | .164  | .269 | 1/2     | 2.5 | 3      | \$110. |
| DSP-24  | .501 | .280 | .196  | .333 | 1/2     | 2.5 | 3      | \$165. |
| DSP-32  | .657 | .377 | .267  | .437 | 3/4     | 3   | 4      | \$225. |



Specials in 4-6  
Working Days

## Multi Seal Solid Carbide DMSP Cutter

| Number  | "G"  | "N"  | "F"  | "V"  | Shank Ø | OAL | Flutes | Price  |
|---------|------|------|------|------|---------|-----|--------|--------|
| DMSP-04 | .187 | .051 | .016 | .117 | 3/16    | 2   | 2      | \$80.  |
| DMSP-06 | .250 | .074 | .028 | .159 | 3/8     | 2.5 | 2      | \$90.  |
| DMSP-08 | .313 | .086 | .044 | .229 | 3/8     | 2.5 | 3      | \$100. |
| DMSP-12 | .500 | .145 | .063 | .336 | 1/2     | 2.5 | 3      | \$165. |
| DMSP-16 | .625 | .192 | .106 | .454 | 5/8     | 3.5 | 4      | \$195. |

Phone 916 408-2442 FAX 916 408-0740

Toll free phone 866 440-8665



A. B. TOOLS, INC.  
1051 Aviation Blvd.  
Lincoln, CA, 95648-9312

If any product is not satisfactory  
we will modify, replace or refund.

www.abtoolsinc.com  
E-Mail: mail@abtoolsinc.com