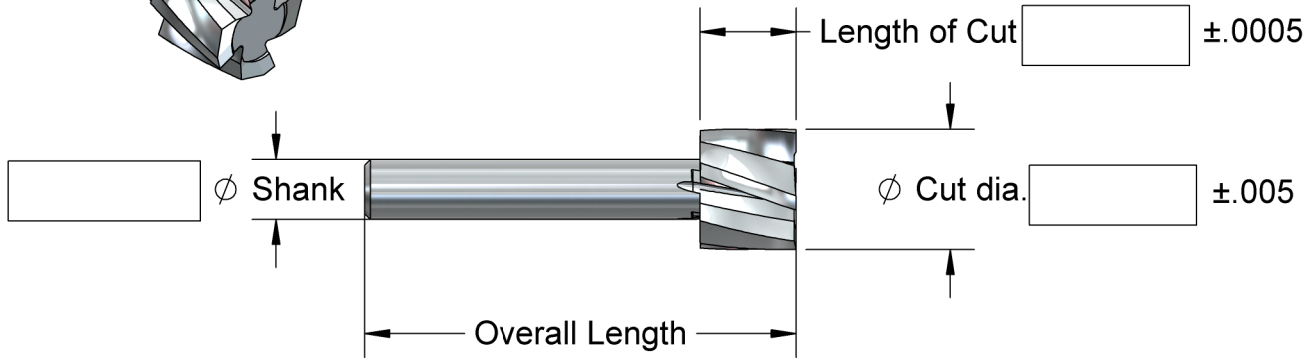
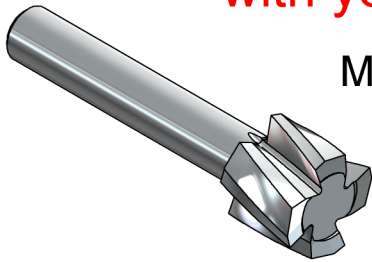


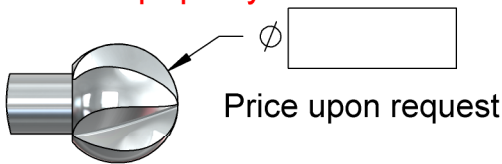
Reduced Shank Solid Carbide End Mills

NEW !!! from .140 to 1.0 diameters **NEW !!!**
 with your decimal width in 4-6 working days

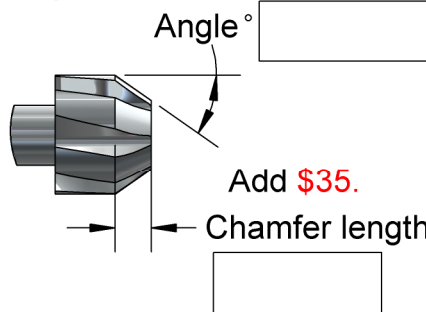
Machining what part material, please? _____



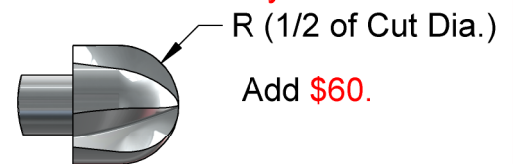
Lollipop Style



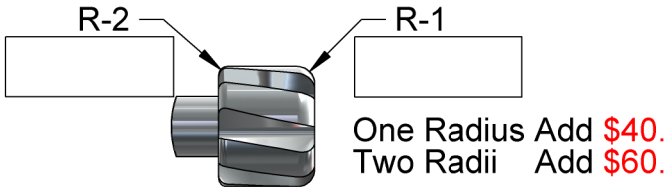
Taper/Chamfer



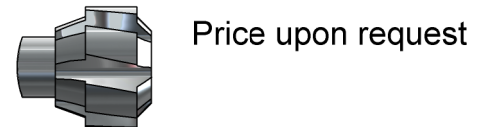
Ballnose Style



Corner Radius



Slot plus Top Chamfers



Ø Shank	OAL	Cut Diameter	Length of Cut Max	Basic Prices
1/8"	1-1/2"	.140 - .250	.250	\$110.
3/16"	1-1/2"	.195 - .375	.375	\$120.
1/4"	2"	.260 - .500	.500	\$135.
5/16"	2-1/4"	.320 - .625	.625	\$150.
3/8"	2-1/2"	.390 - .750	.750	\$180.
1/2"	3"	.515 - 1.0	1.0	\$195.



A. B. TOOLS, INC.
 1051 Aviation Blvd.
 Lincoln, CA 95648-9312

Phone 916 408-2442
 FAX 916 993-3949

www.abtoolsinc.com
 E-Mail: mail@abtoolsinc.com