

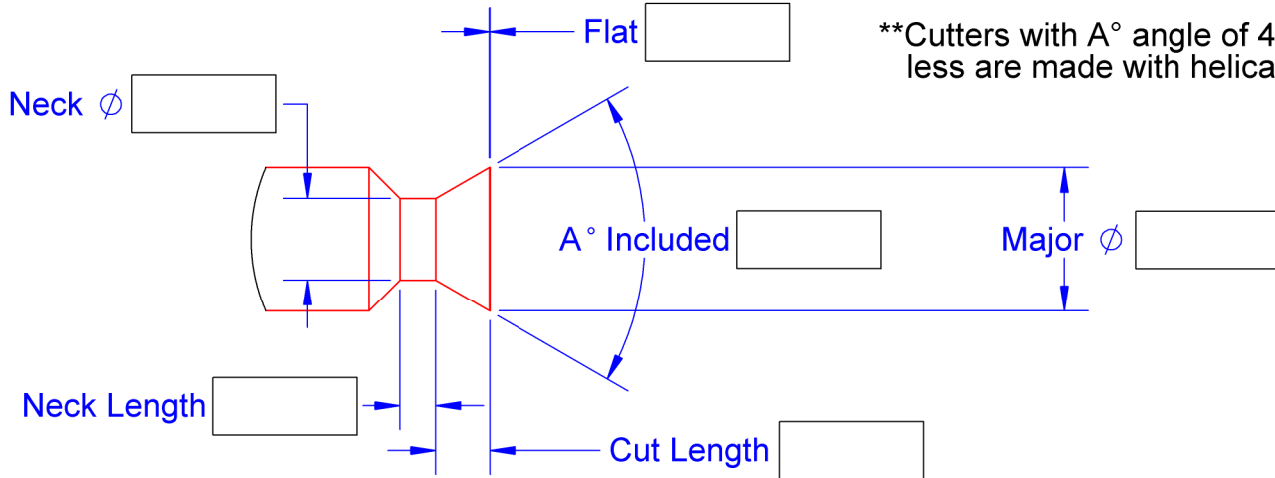
Solid Carbide Dovetail Cutters

3/8" Major Ø x 2.5" OAL. With 3/16" Neck Length. 3 Flutes.

Number	A°	Cut Lngth	Neck Ø	Flat	Price	AlTiN
DS3/8-10	10	.370	.260	.001	\$82.50	\$89.
DS3/8-20	20	.370	.230	.001	\$82.50	\$89.
DS3/8-30	30	.370	.170	.001	\$82.50	\$89.
DS3/8-40	40	.260	.170	.001	\$82.50	\$89.
DS3/8-45	45	.235	.170	.001	\$82.50	\$89.
DS3/8-50	50	.210	.170	.002	\$82.50	\$89.
DS3/8-60	60	.180	.170	.002	\$82.50	\$89.
DS3/8-70	70	.145	.170	.002	\$82.50	\$89.
DS3/8-80	80	.130	.160	.002	\$82.50	\$89.
DS3/8-90	90	.110	.160	.002	\$82.50	\$89.
DS3/8-100	100	.090	.160	.003	\$82.50	\$89.
DS3/8-120	120	.060	.160	.003	\$82.50	\$89.

1/2" Major Ø x 2.5" OAL. With 3/16" Neck Length. 3 Flutes.

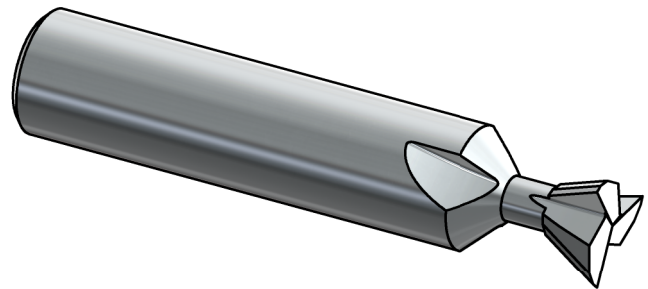
Number	A°	Cut Lngth	Neck Ø	Flat	Price	AlTiN
DS1/2-10	10	.500	.360	.001	\$95.	\$104.
DS1/2-20	20	.400	.300	.001	\$95.	\$104.
DS1/2-30	30	.320	.200	.001	\$95.	\$104.
DS1/2-40	40	.320	.180	.001	\$95.	\$104.
DS1/2-45	45	.320	.180	.001	\$95.	\$104.
DS1/2-50	50	.320	.180	.002	\$95.	\$104.
DS1/2-60	60	.250	.180	.002	\$95.	\$104.
DS1/2-70	70	.210	.180	.002	\$95.	\$104.
DS1/2-80	80	.180	.180	.002	\$95.	\$104.
DS1/2-90	90	.140	.180	.002	\$95.	\$104.
DS1/2-100	100	.120	.180	.003	\$95.	\$104.
DS1/2-120	120	.090	.180	.003	\$95.	\$104.



****Cutters with A° angle of 45° and less are made with helical flutes.****

5/8" Major Ø x 3" OAL. With 3/16" Neck Length. 4 Flutes.

Number	A°	Cut Lngth	Neck Ø	Flat	Price	AlTiN
DS5/8-10	10	.600	.500	.001	\$135.	\$144.
DS5/8-20	20	.500	.440	.001	\$135.	\$144.
DS5/8-30	30	.450	.360	.001	\$135.	\$144.
DS5/8-40	40	.400	.330	.001	\$135.	\$144.
DS5/8-45	45	.350	.330	.001	\$135.	\$144.
DS5/8-50	50	.310	.330	.002	\$135.	\$144.
DS5/8-60	60	.250	.330	.002	\$135.	\$144.
DS5/8-70	70	.210	.330	.002	\$135.	\$144.
DS5/8-80	80	.185	.310	.002	\$135.	\$144.
DS5/8-90	90	.150	.310	.002	\$135.	\$144.
DS5/8-100	100	.130	.310	.003	\$135.	\$144.
DS5/8-120	120	.090	.310	.003	\$135.	\$144.



Specials in 4-6 Working Days



A. B. TOOLS, INC.
1051 Aviation Blvd.
Lincoln, CA 95648-9312

Phone 916 408-2442
FAX 916 993-3949

www.abtoolsinc.com
E-Mail: mail@abtoolsinc.com