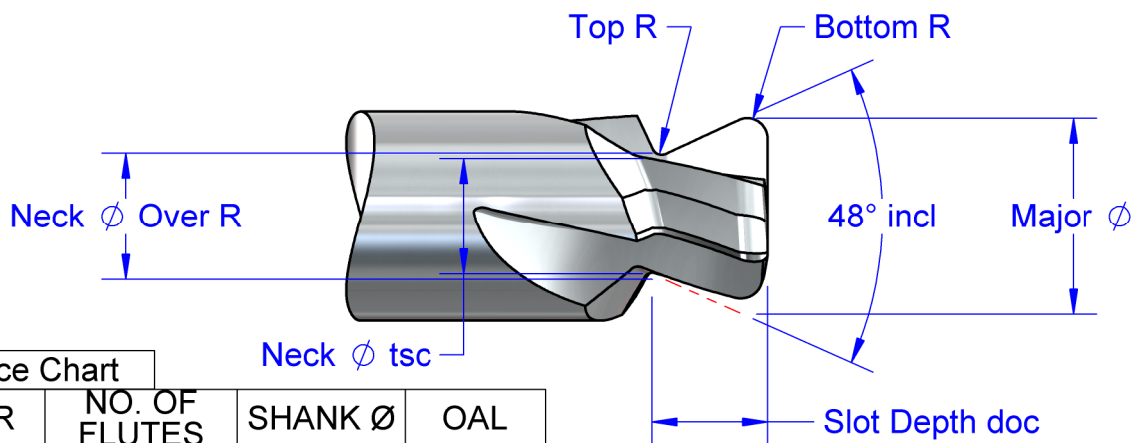


Solid Carbide Dovetail for O-Ring Grooves (Metric)

NUMBER	O-RING SIZE	NECK Ø TSC	NECK Ø OVER R	SLOT DEPTH	TOP RAD.	BOTTOM RAD.	MAJOR Ø	PRICE	AITiN
DT3MM	3MM	.096	.102	.094	.010	.016	.162	\$68.	\$72.
DT3.5MM	3.5MM	.110	.121	.110	.010	.031	.1745	\$68.	\$72.
DT4MM	4MM	.122	.133	.126	.010	.031	.201	\$72.	\$76.
DT4.5MM	4.5MM	.138	.149	.144	.010	.031	.232	\$72.	\$76.
DT5MM	5MM	.152	.162	.163	.010	.031	.264	\$85.	\$92.
DT5.5MM	5.5MM	.165	.183	.181	.016	.031	.293	\$85.	\$92.
DT6MM	6MM	.179	.196	.199	.016	.031	.323	\$100.	\$107.
DT6.5MM	6.5MM	.193	.210	.2165	.016	.031	.352	\$100.	\$107.
DT7MM	7MM	.207	.224	.234	.016	.059	.352	\$100.	\$107.
DT7.5MM	7.5MM	.2205	.238	.252	.016	.059	.381	\$130.	\$139.
DT8MM	8MM	.236	.258	.270	.020	.059	.413	\$130.	\$139.
DT8.5MM	8.5MM	.250	.272	.289	.020	.059	.444	\$130.	\$139.
DT9MM	9MM	.264	.285	.307	.020	.059	.473	\$130.	\$139.
DT9.5MM	9.5MM	.278	.299	.323	.020	.059	.501	\$130.	\$139.
DT10MM	10MM	.291	.313	.3425	.020	.059	.533	\$165.	\$178.



NUMBER	NO. OF FLUTES	SHANK Ø	OAL
DT3MM	2	3/16	2
DT3.5MM	2	3/16	2
DT4MM	2	1/4	2
DT4.5MM	2	1/4	2
DT5MM	3	5/16	2.5
DT5.5MM	3	5/16	2.5
DT6MM	3	3/8	2.5
DT6.5MM	3	3/8	2.5
DT7MM	3	3/8	2.5
DT7.5MM	3	1/2	2.5
DT8MM	3	1/2	2.5
DT8.5MM	3	1/2	2.5
DT9MM	3	1/2	2.5
DT9.5MM	3	1/2	2.5
DT10MM	3	5/8	3.5

Specials in 4-6 Working Days (See Page 18)



A. B. TOOLS, INC.
1051 Aviation Blvd.
Lincoln, CA 95648-9312

Phone 916 408-2442
FAX 916 993-3949

www.abtoolsinc.com
E-Mail: mail@abtoolsinc.com