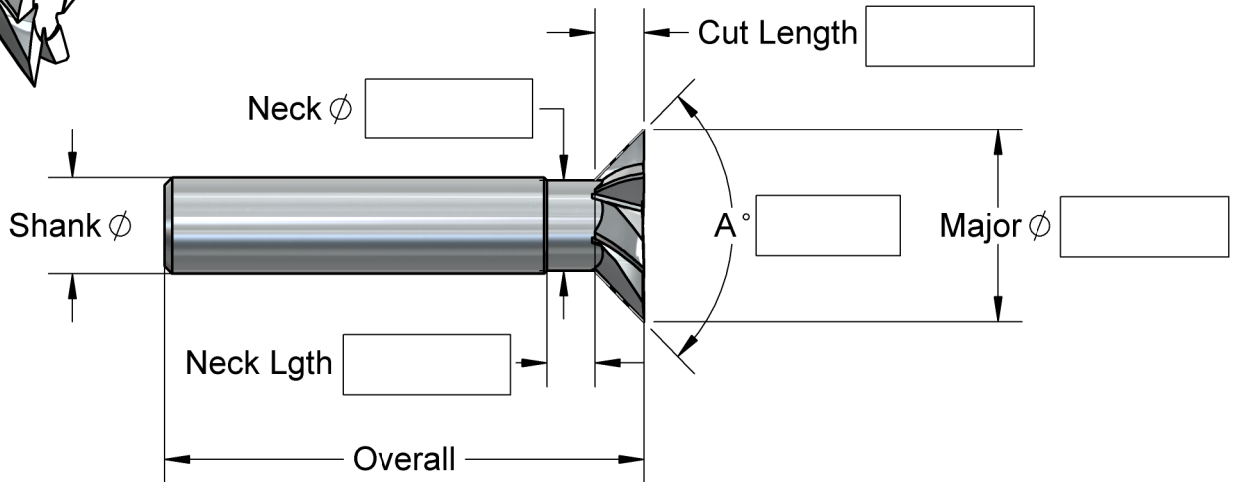


NEW !!! Solid Carbide Dovetail Cutters **NEW !!!** from .750 to 1.5 diameters

Custom specials upon request.



Machining what part material, please? _____



Add \$40. each for corner radius (R.060 Max)

Ø1/2" shank x 2.5" Overall			Number	Major Ø	A°	Cut Length	Neck Ø	Neck Lgth	Flutes	Price	Altin
Ø1/2" shank x 2.5" Overall			DS75-60	.750	60	.313	.370	.250	6	\$215.	\$226.
Ø1/2" shank x 2.5" Overall			DS75-90	.750	90	.188	.360	.250	6	\$215.	\$226.
Ø1/2" shank x 2.5" Overall			DS75-120	.750	120	.120	.320	.370	6	\$215.	\$226.
Ø1/2" shank x 2.5" Overall			DS1-60	1.0	60	.435	.480	.250	6	\$230.	\$246.
Ø1/2" shank x 2.5" Overall			DS1-90	1.0	90	.255	.470	.250	6	\$230.	\$246.
Ø1/2" shank x 2.5" Overall			DS1-120	1.0	120	.160	.430	.370	6	\$230.	\$246.

Ø5/8" shank x 3" Overall			Number	Major Ø	A°	Cut Length	Neck Ø	Neck Lgth	Flutes	Price	Altin
Ø5/8" shank x 3" Overall			DS125-60	1.25	60	.500	.600	.250	8	\$285.	\$305.
Ø5/8" shank x 3" Overall			DS125-90	1.25	90	.360	.515	.250	8	\$285.	\$305.
Ø5/8" shank x 3" Overall			DS125-120	1.25	120	.225	.450	.370	8	\$285.	\$305.

Ø3/4" shank x 3.5" Overall			Number	Major Ø	A°	Cut Length	Neck Ø	Neck Lgth	Flutes	Price	Altin
Ø3/4" shank x 3.5" Overall			DS15-60	1.5	60	.625	.725	.250	8	\$340.	\$365.
Ø3/4" shank x 3.5" Overall			DS15-90	1.5	90	.440	.600	.250	8	\$340.	\$365.
Ø3/4" shank x 3.5" Overall			DS15-120	1.5	120	.285	.500	.370	8	\$340.	\$365.



A. B. TOOLS, INC.
1051 Aviation Blvd.
Lincoln, CA 95648-9312

Phone 916 408-2442
FAX 916 993-3949

www.abtoolsinc.com
E-Mail: mail@abtoolsinc.com