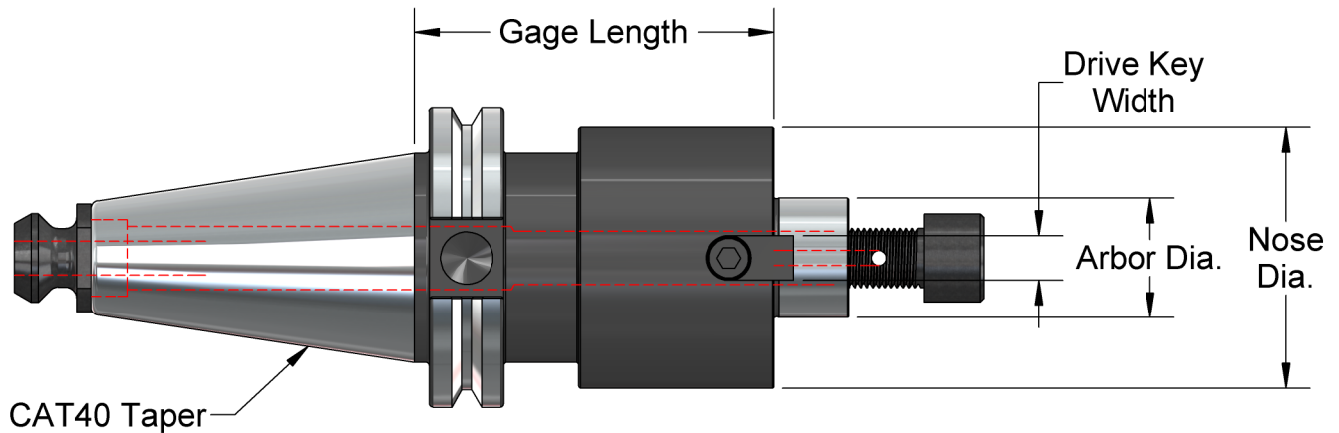


NEW !!!

Shell Mill Arbors

NEW !!!



Concentricity better than .0002 at face and arbor

Made from Alloy Steel Rc 54 - 56

Removable drive keys

No.	Arbor Dia.	Nose Dia.	Gage Length	Drive Key Width	Shell Shear-Hog	Price
CAT40-FMA.500-2.0	.500	1.74	2.0	.249	Shell 200	\$125.
CAT40-FMA.750-1.5	.750	1.76	1.5	.312	Shell 250	\$140.
CAT40-FMA.750-1.5	.750	1.76	1.5	.312	Shell 275	\$140.
CAT40-FMA1.0-3.0	1.00	2.18	3.0	.370	Shell 300	\$160.
CAT40-FMA1.25-1.5	1.25	2.49	1.5	.495	Shell 400	\$125.
CAT40-FMA1.5-1.5	1.50	2.49	1.5	.620	Shell 500	\$125.
CAT40-FMA1.5-1.5	1.50	2.49	1.5	.620	Shell 600	\$125.
CAT40-FMA1.5-1.5	1.50	2.49	1.5	.620	Shell 700	\$125.

Thru Coolant Arbor Screws		
Size	Shell Shear-Hog	Price
1/4-28	SHELL 200	\$7.50
3/8-24	SHELL 250	\$7.50
3/8-24	SHELL 275	\$7.50
1/2-20	SHELL 300	\$8.75
5/8-18	SHELL 400	\$11.00
3/4-16	SHELL 500	\$12.50
3/4-16	SHELL 600	\$12.50
3/4-16	SHELL 700	\$12.50

Thru Coolant Retention Knob	
No.	Price
PS-11122	\$18.



A. B. TOOLS, INC.
 1051 Aviation Blvd.
 Lincoln, CA 95648-9312

Phone 916 408-2442
 FAX 916 993-3949

www.abtoolsinc.com
 E-Mail: mail@abtoolsinc.com