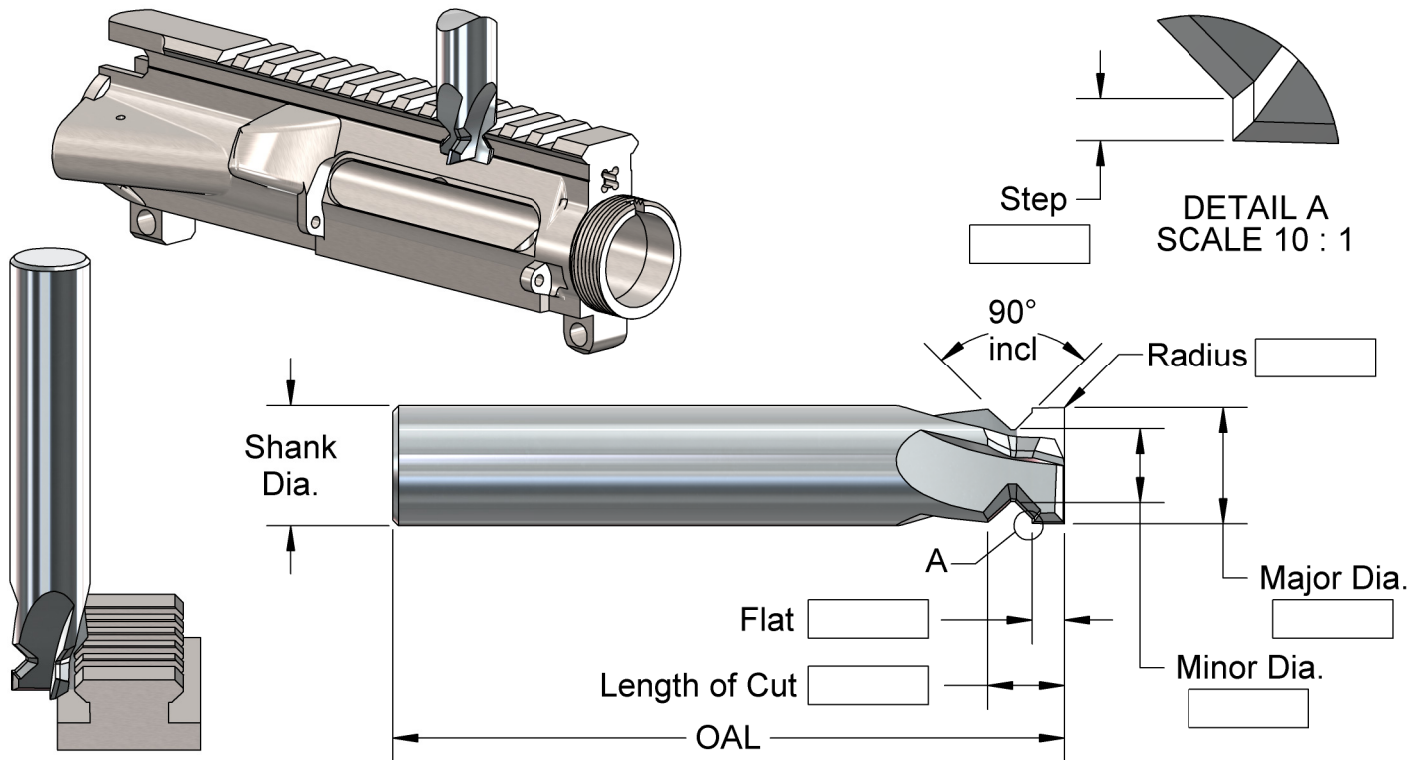
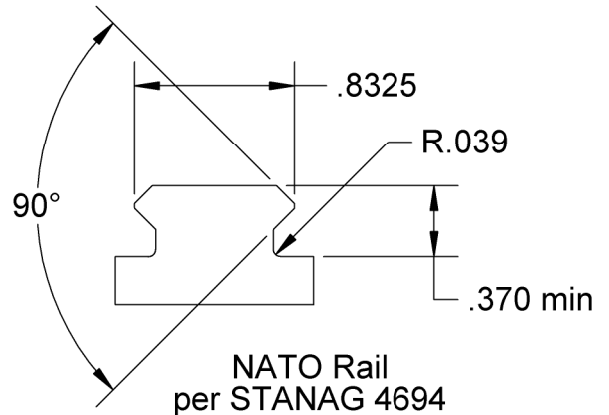
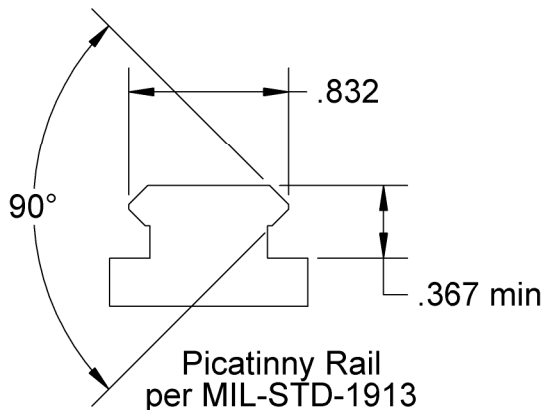


# NEW !!! Picatinny/NATO Rail Cutters NEW !!!



Number	Major Dia.	Minor Dia.	Length of Cut	Flat	Radius	Shank Dia.	OAL	No. of Flutes	Price
PT605-90H-3	.605	.385	.399	.167	None	5/8"	3.5	3	\$140.00
PT605-90H-4	.605	.385	.399	.167	None	5/8"	3.5	4	\$147.50
PT480-90H-2	.480	.260	.399	.167	None	1/2"	2.5	2	\$130.00
PT480-90H-3	.480	.260	.399	.167	None	1/2"	2.5	3	\$137.50
PTN625-90H-3*	.625	.405	.387	.143	.039	5/8"	3.5	3	\$150.00
PTN625-90H-4*	.625	.405	.387	.143	.039	5/8"	3.5	4	\$157.50
PTN500-90H-2*	.500	.280	.387	.143	.039	1/2"	2.5	2	\$135.00
PTN500-90H-3*	.500	.280	.387	.143	.039	1/2"	2.5	3	\$142.50

\* Cutter produces NATO rail



A. B. TOOLS, INC.  
1051 Aviation Blvd.  
Lincoln, CA 95648-9312

Phone 916 408-2442  
FAX 916 993-3949

www.abtoolsinc.com  
E-Mail: mail@abtoolsinc.com