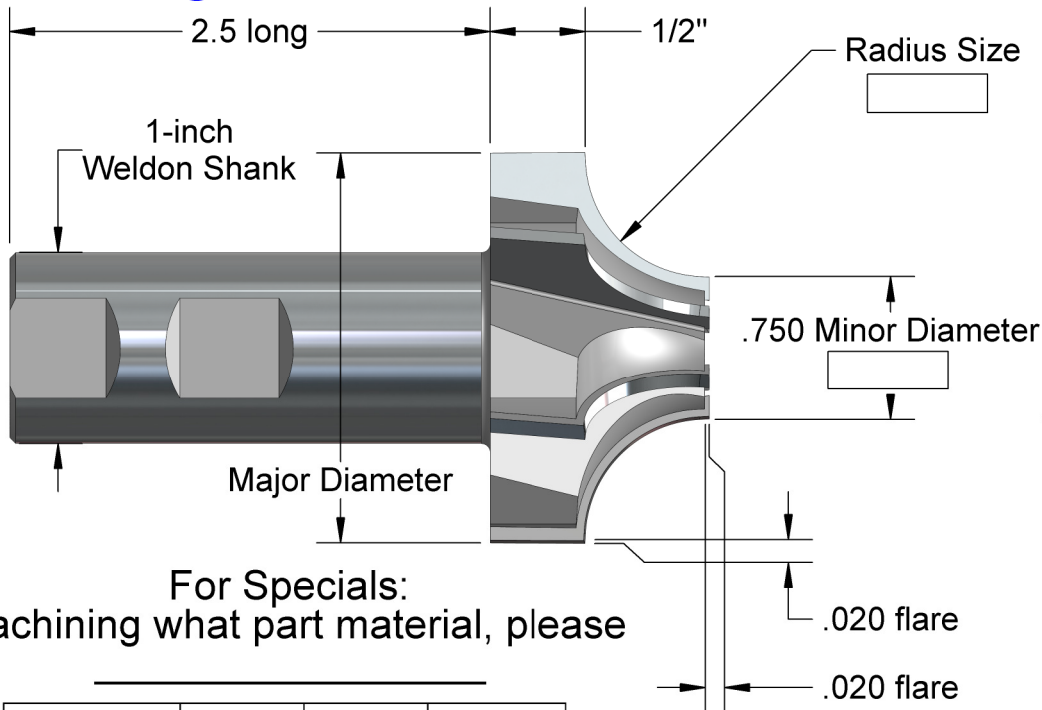


Large Radii M42 Cobalt Corner Rounders



For Specials:
Machining what part material, please

Number	Radius	Major Dia.	Price
CCR-625	.625	2.04	\$530.
CCR-687	.687	2.16	\$540.
CCR-719	.719	2.23	\$545.
CCR-750	.750	2.29	\$550.
CCR-787	.787	2.36	\$555.
CCR-812	.812	2.41	\$560.
CCR-875	.875	2.54	\$575.
CCR-937	.937	2.66	\$590.
CCR-984	.984	2.76	\$600.
CCR-1000	1.000	2.79	\$605.
CCR-1063	1.063	2.91	\$620.
CCR-1125	1.125	3.04	\$635.
CCR-1181	1.181	3.15	\$650.
CCR-1250	1.250	3.29	\$675.
CCR-1312	1.312	3.41	\$710.
CCR-1375	1.375	3.54	\$765.
CCR-1437	1.437	3.66	\$835.
CCR-1500	1.500	3.79	\$895.

We've milled full radius cuts with these Corner Rounders in M2 HSS at 90 SFM and .0015 Inch Per Tooth Chip Load with GREAT results

***Coatings available upon request.



A. B. TOOLS, INC.
1051 Aviation Blvd.
Lincoln, CA 95648-9312

Phone 916 408-2442
FAX 916 993-3949

www.abtoolsinc.com
E-Mail: mail@abtoolsinc.com