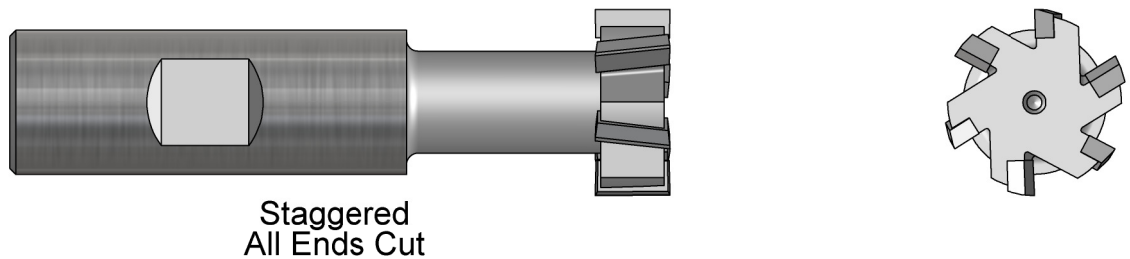
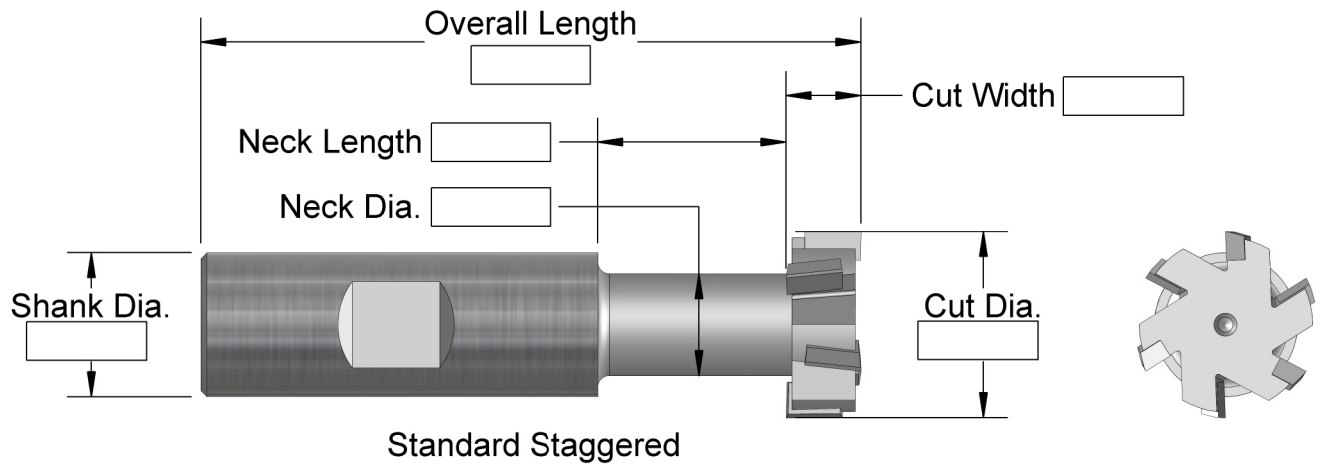


# **NEW !** Carbide Tipped T-Slot cutters **NEW !** Industry Standard Stagger Tooth



Number	Bolt Size	Cut Dia	Cut Width	Neck Dia.	Neck Length	Shank Dia.	OAL	No. of Flutes	Price	
									Standard	All Ends Cut
TSKS-1/4*	1/4"	.531	.234	.256	.55	1/2"	2-1/2	6	\$150.	\$157.
TSKT-5/16	5/16"	.656	.265	.330	.61	1/2"	2.69	6	\$135.	\$142.
TSKT-3/8	3/8"	.781	.328	.410	.86	3/4"	3.25	6	\$165.	\$173.
TSKT-1/2	1/2"	.968	.390	.530	.98	3/4"	3.44	6	\$175.	\$184.
TSKT-5/8	5/8"	1.250	.484	.660	1.14	1"	3.94	6	\$215.	\$226.
TSKT-3/4	3/4"	1.468	.625	.780	1.50	1"	4.44	8	\$245.	\$257.
TSKT-1.0	1"	1.844	.828	1.030	1.67	1-1/4"	4.81	8	\$315.	\$330.
TSKT-1-1/4	1-1/4"	2.219	1.094	1.218	1.97	1-1/4"	5.38	8	\$395.	\$415.
TSKT-1-1/2	1-1/2"	2.656	1.344	-	-	1-1/4"	5.91	8	\$445.	\$467.

\* Noted cutter is solid carbide



A. B. TOOLS, INC.  
1051 Aviation Blvd.  
Lincoln, CA 95648-9312

Phone 916 408-2442  
FAX 916 993-3949

www.abtoolsinc.com  
E-Mail: mail@abtoolsinc.com