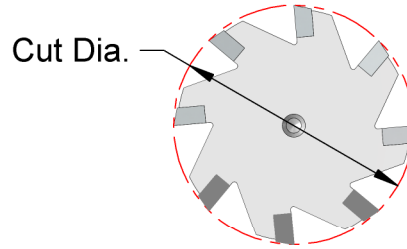
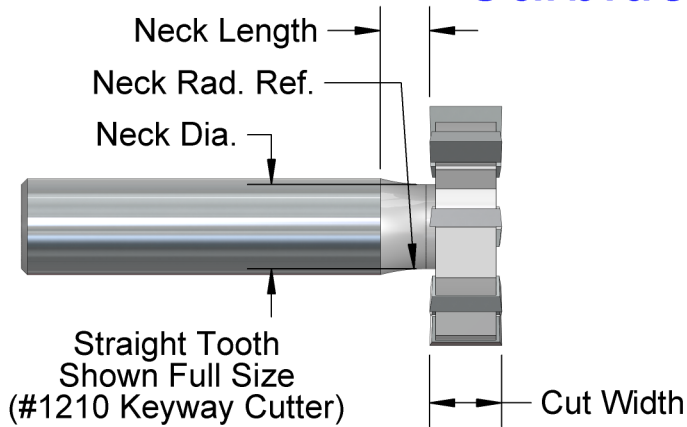


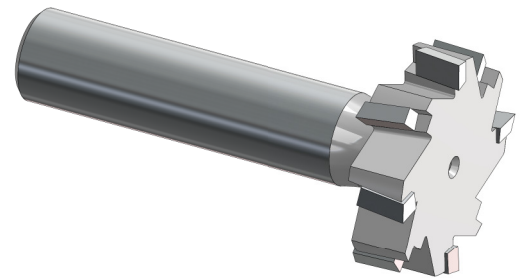
Standard Keyway Cutters Carbide Tipped

**Specials in 4-6
Working Days**

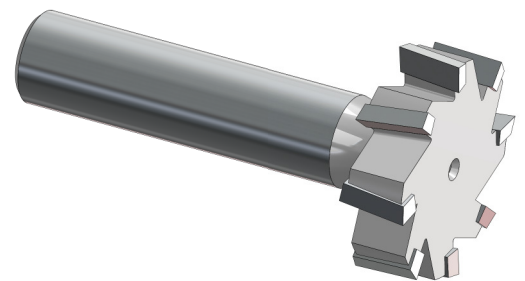


All shanks are 1/2" Dia. and 2-1/2" overall

Ind. Std. #	Cut Dia.	Cut Width	Neck Dia.	Neck Length	Neck Rad. Ref.	No. of Flts.	Price	
							Straight Tooth	Staggered Tooth
608	1	3/16	.280	.440	.85	6	\$115.	\$150.
708	1	7/32	.310	.415	.865			
808	1	1/4	.340	.385	.880			
1008	1	5/16	.375	.219	N/A			
1208	1	3/8	.410	.219	N/A			
609	1-1/8	3/16	.310	.410	.855	6	\$130.	\$165.
709	1-1/8	7/32	.340	.380	.875			
809	1-1/8	1/4	.380	.346	.895			
1009	1-1/8	5/16	.435	.250	N/A			
610	1-1/4	3/16	.310	.410	.855	8	\$145.	\$185.
710	1-1/4	7/32	.340	.380	.875			
810	1-1/4	1/4	.375	.350	.895			
1010	1-1/4	5/16	.485	.250	N/A			
1210	1-1/4	3/8	.485	.250	N/A			
811	1-3/8	1/4	.400	.310	.930	8	\$150.	\$190.
1011	1-3/8	5/16	.485	.313	N/A			
1211	1-3/8	3/8	.485	.313	N/A			
812	1-1/2	1/4	.430	.310	N/A	8	\$170.	\$210.
1012	1-1/2	5/16	.490	.250	N/A			
1212	1-1/2	3/8	.490	.250	N/A			



Staggered Tooth
Shown Full Size
(#1210 Keyway Cutter)



Staggered Tooth
All Ends Cut
Shown Full Size
(#1210 Keyway Cutter)



A. B. TOOLS, INC.
1051 Aviation Blvd.
Lincoln, CA 95648-9312

Phone 916 408-2442
FAX 916 993-3949

www.abtoolsinc.com
E-Mail: mail@abtoolsinc.com