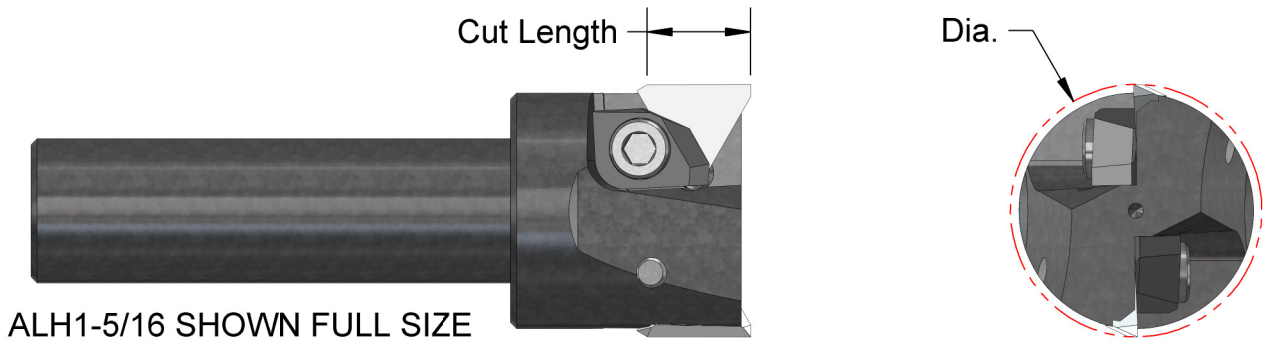
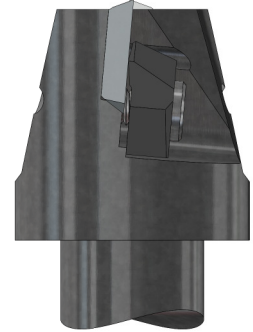


The Aluma-Hogs



ALH1-5/16 SHOWN FULL SIZE

We started making ALUMA-HOGS in 1982. In 1997 we introduced the SHEAR-HOG; see back cover. With its high shear inserts, and no top clamps, the SHEAR-HOG outperforms the ALUMA-HOGS by 50% in Metal Removal rates. We will stock Aluma-Hogs, inserts, and parts as long as needed.



NUMBER	Dia.	Shank Dia.	OAL	Cut Length	Insert & Qty.	Clamp	Shim	Price Incl. Inserts
ALH1A	1.0	3/4	3.75	1/4	TEG2.522 (2)	CL1		\$215.
ALH1B	1.0	1.0	3.75	1/4	TEG2.522 (2)	CL1		\$215.
ALH1-5/16	1.312	3/4	3.75	1/2	TEG32MF (2)	CL2		\$265.
ALH1-7/8A	1.875	3/4	3.87	3/4	TEG42MF (2)	CL3		\$285.
ALH1-7/8B	1.875	1.0	4.12	3/4	TEG42MF (2)	CL3		\$285.
ALH2	2.0	1.0	4.12	3/4	TEG42MF (2)	CL3		\$325.
ALH3S	3.0	1.0	4.12	3/4	TEG42MF (3)	CL3	SM37	\$410.
ALH4S	4.0	1.0	4.25	3/4	TEG42MF (4)	CL3	SM37	\$535.

Inserts/Hardware	Relief Angle	Price
TEG2.522 (.031 R)	20°	\$12.50
TEG2.52MF (Mill Flat)	20°	\$14.00
TFG322 (.031 R)	25°	\$12.50
TFG32MF (Mill Flat)	25°	\$14.00
TEG422 (.031 R)	20°	\$14.75
TEG42MF (Mill Flat)	20°	\$17.00
CL1 or CL2 Clamp		\$16.50
CL3 Clamp		\$21.50
SM37 Shim, Modified		\$16.50

Suggested Starting Data:
 Non-Ferrous ONLY
 500/2,000 SFM; .002/.010 IPT
 10,000 max RPM

See back cover, inside back cover and page 50 for information on the SHEAR-HOG, which will rough mill Aluminum at 6 CIM per HP.

Screws included with any Clamp/Shim orders.



A. B. TOOLS, INC.
 1051 Aviation Blvd.
 Lincoln, CA 95648-9312

Phone 916 408-2442
 FAX 916 993-3949

www.abtoolsinc.com
 E-Mail: mail@abtoolsinc.com