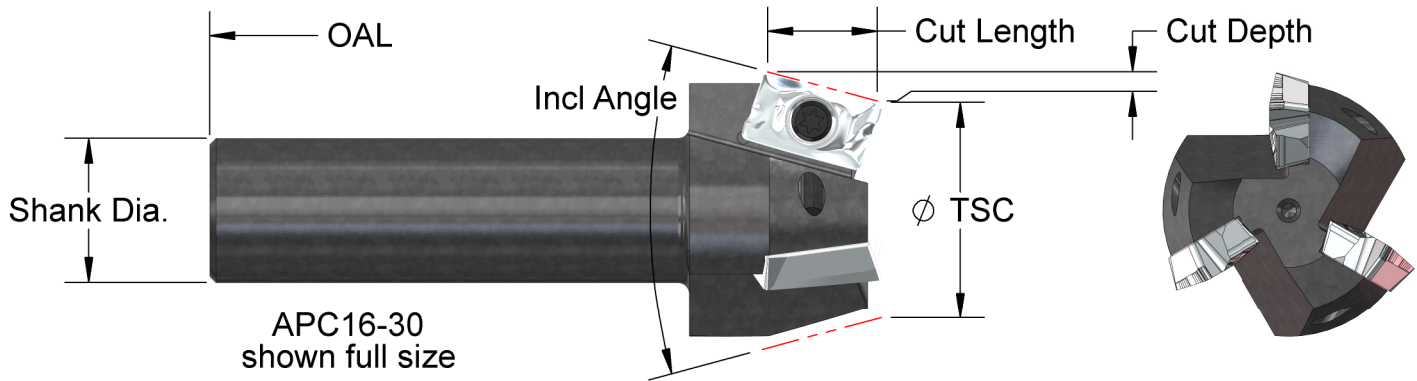
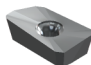


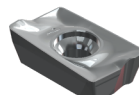
NEW !!! All Purpose Indexable Chamfer Cutters NEW !!!





Number	Ø TSC	Incl Angle	Cut Length	Cut Depth	Shank Dia.	OAL	No. of Flutes	Insert Size	Price
APC11-30	3/4	30°	.325	.080	1/2	2-1/2	3	APi11	\$250.
APC11-60	3/4	60°	.290	.165	1/2	2-1/2	3	APi11	\$250.
APC11-82	3/4	82°	.250	.220	1/2	2-1/2	3	APi11	\$250.
APC11-90	3/4	90°	.235	.235	3/4	3-1/2	3	APi11	\$295.
APC11-100	3/4	100°	.210	.260	3/4	3-1/2	3	APi11	\$295.
APC11-120	3/4	120°	.160	.290	3/4	3-1/2	3	APi11	\$295.
APC11-150	3/4	150°	.080	.325	3/4	3-1/2	3	APi11	\$295.
APC16-30	1.0	30°	.540	.140	3/4	3-1/2	3	APi16	\$415.
APC16-60	1.0	60°	.480	.285	3/4	3-1/2	3	APi16	\$415.
APC16-82	1.0	82°	.415	.370	3/4	3-1/2	3	APi16	\$415.
APC16-90	1.0	90°	.390	.400	3/4	3-1/2	3	APi16	\$415.
APC16-100	1.0	100°	.350	.430	3/4	3-1/2	3	APi16	\$415.
APC16-120	1.0	120°	.270	.490	3/4	3-1/2	3	APi16	\$450.
APC16-150	1.0	150°	.125	.545	3/4	3-1/2	3	APi16	\$450.

APi11 Inserts			
	Number	Radius	Price
	APi11-031G	0.031	\$9.
	APi11-031N	0.031	\$9.

G = General Purpose/Steels N = Non-Ferrous/Aluminum

APi16 Inserts			
	Number	Radius	Price
	APi16-063G	0.063	\$13.75
	APi16-094G	0.094	\$13.75
	APi16-125G	0.125	\$13.75
	APi16-037N	0.037	\$13.75

Hardware	
	
Insert Screw	Wrench
APM11 Insert Size	
2.5mm-AP	T8
\$4.25	\$6.
APM16 Insert Size	
4mm-AP	T15
\$5.	\$7.50



A. B. TOOLS, INC.
1051 Aviation Blvd.
Lincoln, CA 95648-9312

Phone 916 408-2442
FAX 916 993-3949

www.abtoolsinc.com
E-Mail: mail@abtoolsinc.com