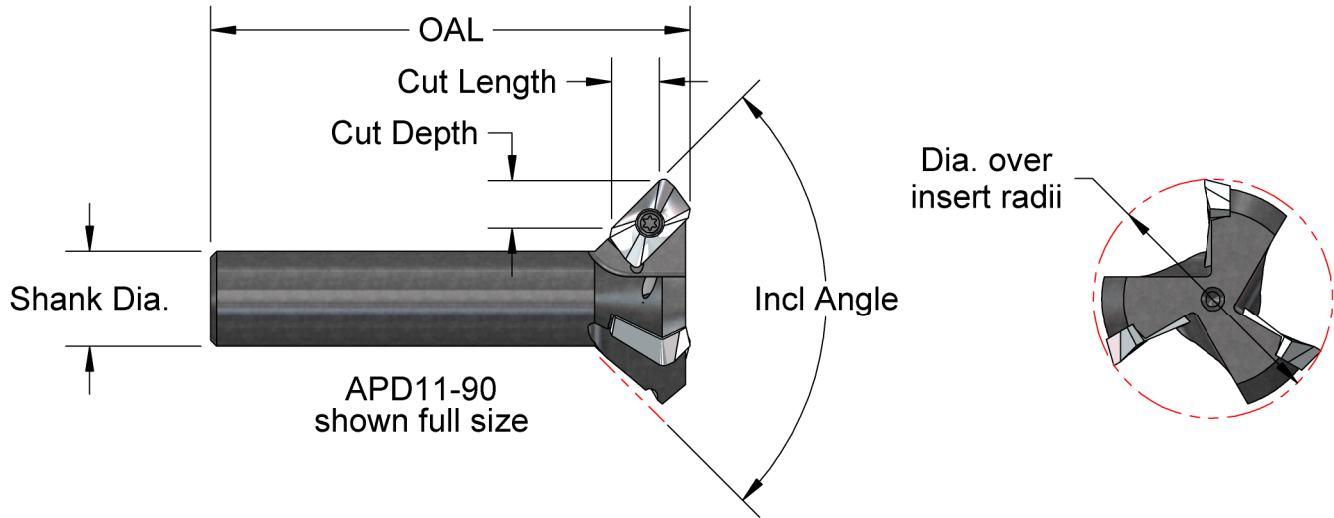




NEW !!! All Purpose Indexable Back Chamfer Cutters NEW !!!





Number	Dia.	Incl Angle	Cut Depth	Cut Length	Shank Dia.	OAL	No. of Flutes	Insert Size	Price
APD11-90	1.250	90	.235	.235	1/2	2-1/2	3	APi11	\$240.
APD11-100	1.375	100	.255	.210	1/2	2-1/2	3	APi11	\$250.
APD11-120	1.375	120	.290	.160	1/2	2-1/2	3	APi11	\$250.
APD11-140	1.375	140	.315	.110	1/2	2-1/2	3	APi11	\$250.
APD11-150	1.375	150	.325	.080	1/2	2-1/2	3	APi11	\$250.
APD16-90	2.0	90	.390	.400	3/4	3-1/2	3	APi16	\$415.
APD16-100	2.0	100	.420	.350	3/4	3-1/2	3	APi16	\$415.
APD16-120	2.0	120	.480	.280	3/4	3-1/2	3	APi16	\$415.
APD16-140	2.0	140	.530	.190	3/4	3-1/2	3	APi16	\$415.
APD16-150	2.0	150	.540	.140	3/4	3-1/2	3	APi16	\$415.

APi11 Inserts			
	Number	Radius	Price
	APi11-031G	0.031	\$9.
	APi11-031N	0.031	\$9.

G = General Purpose/Steels N = Non-Ferrous/Aluminum

APi16 Inserts			
	Number	Radius	Price
	APi16-063G	0.063	\$13.75
	APi16-094G	0.094	\$13.75
	APi16-125G	0.125	\$13.75
	APi16-037N	0.037	\$13.75

Hardware	
	
Insert Screw	Wrench
APM11 Insert Size	
2.5mm-AP	T8
\$4.25	\$6.
APM16 Insert Size	
4mm-AP	T15
\$5.	\$7.50



A. B. TOOLS, INC.
1051 Aviation Blvd.
Lincoln, CA 95648-9312

Phone 916 408-2442
FAX 916 993-3949

www.abtoolsinc.com
E-Mail: mail@abtoolsinc.com