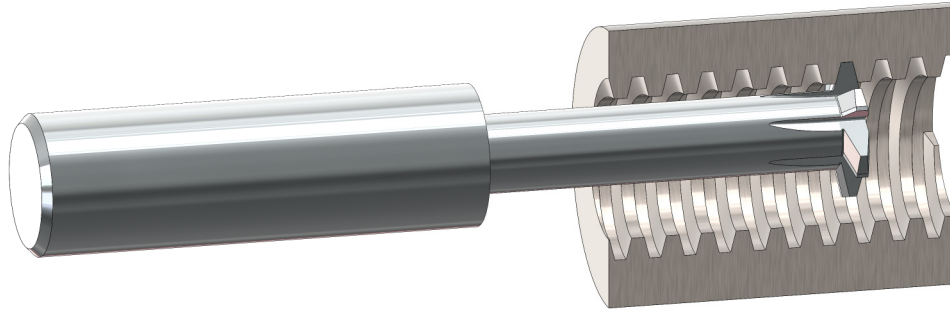
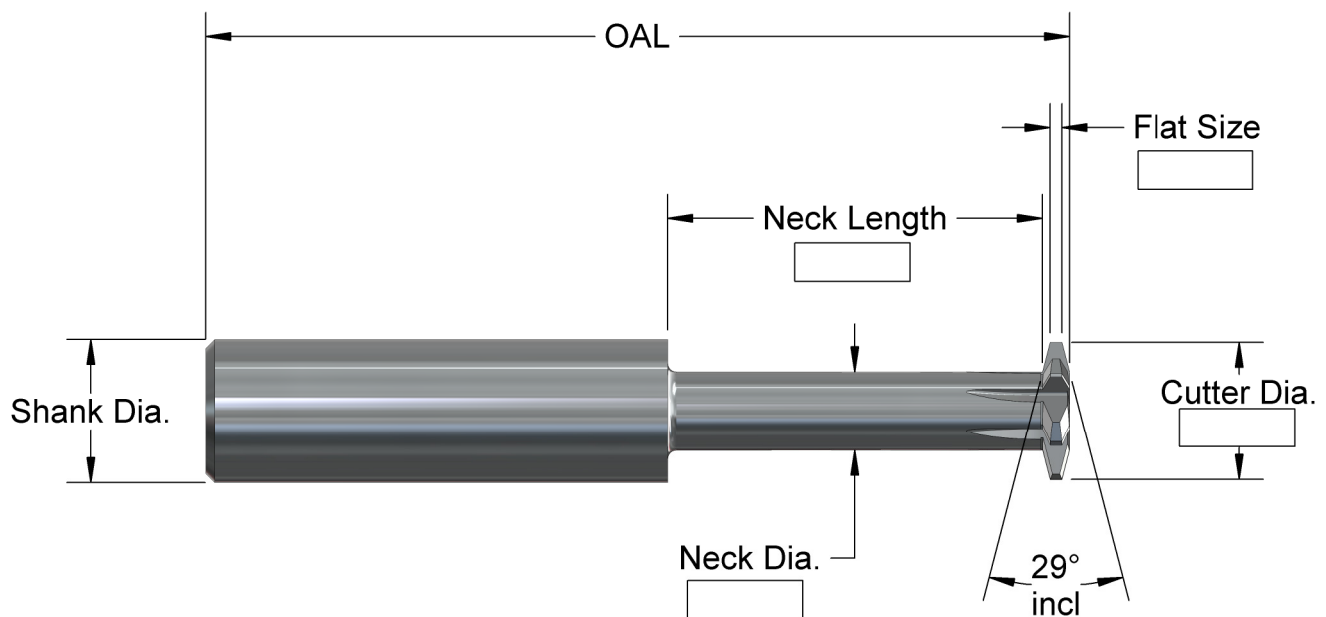


NEW !!! ACME Thread Mills NEW !!!



Number	TPI	Cutter Dia.	Flat Size	Neck Dia.	Neck Length	Shank Dia.	OAL	No of Flutes	Price
TM-16ATM	16	.178	.0206	.075	1/4"	1/4"	2"	3	\$80.
TM-14ATM	14	.231	.0239	.100	3/8"	1/4"	2-1/2"	3	\$85.
TM-12ATM	12	.282	.0283	.138	1/2"	5/16"	2-1/2"	3	\$105.
TM-10ATM	10	.375	.0319	.200	5/8"	3/8"	2-1/2"	5	\$125.
TM-8ATM	8	.480	.0411	.275	3/4"	1/2"	3"	5	\$140.
TM-6ATM	6	.543	.0566	.297	1"	5/8"	3-1/2"	5	\$185.
TM-5ATM	5	.750	.0689	.446	1-1/4"	3/4"	5"	5	\$235.
TM-4ATM	4	.750	.0875	.396	1-1/2"	3/4"	5"	5	\$250.



A. B. TOOLS, INC.
1051 Aviation Blvd.
Lincoln, CA 95648-9312

Phone 916 408-2442
FAX 916 993-3949

www.abtoolsinc.com
E-Mail: mail@abtoolsinc.com